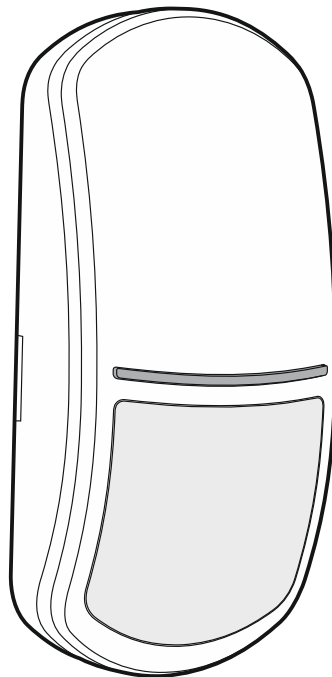




SLIM-DUAL-LUNA

**Digital dual technology motion detector
with lighting feature**



Firmware version 1.00

slim-dual-luna_en 01/20

SATEL sp. z o.o. • ul. Budowlanych 66 • 80-298 Gdańsk • POLAND
tel. +48 58 320 94 00
www.satel.eu

IMPORTANT

The device should be installed by qualified personnel.

Prior to installation, please read carefully this manual.

Changes, modifications or repairs not authorized by the manufacturer shall void your rights under the warranty.

SATEL aims to continually improve the quality of its products, which may result in changes in their technical specifications and software. Current information about the changes being introduced is available on our website.

Please visit us at:
<http://www.satel.eu>

The declaration of conformity may be consulted at www.satel.eu/ce

The following symbols may be used in this manual:



- note,



- caution.

CONTENTS

1.	Features	2
2.	Description.....	2
	Operation modes	2
	Lighting feature.....	3
	Supervision features.....	3
	LED indicators	3
	Remote switching between detector working parameters.....	4
	Remote configuration mode enable/disable.....	4
3.	Electronics module	4
4.	Terminal block	5
5.	Selecting a mounting location.....	7
6.	Installation	7
7.	Configuring the detector	10
	Starting configuration mode.....	11
	Running functions and configuring parameters	11
	Ending configuration mode	13
8.	Start-up and walk test.....	13
	Separate testing of sensors	14
9.	Specifications	14

The SLIM-DUAL-LUNA detector detects movement in the protected area. Additionally, the detector has a set of LEDs to provide the lighting feature. This manual applies to the detector with electronics version D.

1. Features

- Motion detection with two sensors: passive infrared sensor (PIR) and microwave sensor (MW).
- Adjustable detection sensitivity of both sensors.
- Capability of separate sensor testing.
- Digital motion detection algorithm.
- Digital temperature compensation.
- Digital filter of signals received by the microwave sensor ensuring immunity to false alarms caused by the power network and gas-discharge lamps.
- Selectable operation mode: basic, advanced, PIR or MW.
- Option to enable / disable the creep zone protection.
- Wide-angle lens designed specially for SLIM detectors.
- Option to replace the lens with a curtain or long range one.
- Ability to configure the detector settings using the OPT-1 keyfob.
- Built-in end-of-line resistors (2EOL: 2 x 1.1 k Ω / 2 x 4.7 k Ω / 2 x 5.6 k Ω).
- Lighting feature implemented using LEDs.
- Option to remotely control lighting or activate lighting by motion.
- LED indicators.
- Selectable color of LED indicators light (7 colors available).
- Remote LED indicators enable/disable.
- Remote configuration mode enable/disable.
- Supervision of motion detection system and supply voltage.
- Tamper protection against enclosure opening and removal from mounting surface.
- Adjustable mounting bracket included.

2. Description

Operation modes

Basic – both sensors are enabled. The detector reports alarm when both sensors have detected motion within a time period shorter than 3 second.

Advanced – both sensors are enabled. The detector reports alarm when:

- both sensors have detected motion within a time period shorter than 3 second,
- within a time period shorter than 3 second, the microwave sensor has detected motion, and the PIR sensor has registered some small changes in its field of view, not sufficient however to recognize them as motion,
- within 15 minutes, the microwave sensor has detected motion 16 times, though the PIR sensor has registered no changes in its field of view.

PIR – the microwave sensor is disabled. The detector reports alarm when the infrared sensor detects motion in the protected area.

MW – the infrared sensor is disabled. The detector reports alarm when the microwave sensor detects motion in the protected area.



The MW operation mode can only be used to activate lighting by motion.

Lighting feature

The light sources are 4 white LEDs. The following lighting operation modes are available:

- remote control only – the lighting is ON when the LUNA terminal is connected to common ground (if the LUNA terminal is disconnected from ground, the lighting is OFF),
- remote control and motion activation – the lighting is ON when the LUNA terminal is connected to ground, or after motion is sensed by the detector,
- motion activation if the LUNA terminal is connected to common ground – the lighting is ON when the LUNA terminal is connected to common ground and the detector has sensed motion (if the LUNA terminal is disconnected from common ground, detection of motion will not activate the lighting).

If activated by motion, the lighting remains ON for the time period programmed in the detector. If the lighting is ON and motion is detected, the countdown starts anew.

For description of the lighting feature configuration, see section “Configuring the detector”.

Supervision features

In the event of the voltage drop below 9 V ($\pm 5\%$) for more than 2 seconds or the motion detection system failure, the detector will signal a trouble. The trouble is indicated by the alarm output activation and the LED indicators coming on. Signaling will continue as long as the trouble exists.

LED indicators

The LEDs indicate:

- warm-up – flashing alternately different colors for about 30 seconds;
- motion detected by microwave sensor – ON for 3 seconds (default color: green);
- motion detected by PIR sensor – ON for 3 seconds (default color: purple);
- alarm – ON for 2 seconds (default color: blue);
- trouble – steady ON for entire duration of the trouble (the same color of lighting as in case of alarm).

You can change the colors. Each event can be indicated in one of seven available colors. You can also enable/disable the indication of motion detection by the MW and PIR sensors (see “Configuring the detector”).

The LEDs are also used in the configuration mode (see “Configuring the detector”).

Enabling the LEDs by using a jumper

If you put a jumper across the LED pins, the LEDs will be enabled, i.e. they will indicate the above described events (the LED indicators can't be enabled/disabled remotely). If you do not put a jumper across the pins, the LEDs will be disabled, but they can be enabled/disabled remotely.

Remote LEDs enable/disable

The LED terminal is provided to allow remote LEDs enable/disable. When the terminal is connected to common ground, the LEDs are enabled. When the terminal is disconnected from common ground, the LEDs are disabled.

If the detector is used in the INTEGRA / INTEGRA Plus alarm system, you can connect to the terminal an OC type control panel output programmed e.g. as “Zone test status” or “BI switch”.

Remote switching between detector working parameters

The SENS terminal is provided to allow remote switching between detector working parameters (detector operation mode and sensor sensitivity). The first set of parameters is used when the terminal is disconnected from common ground, and the second – when the terminal is connected to common ground.

This makes it possible to change the detector working parameters depending on the state of partition to which the detector is assigned. If the partition is disarmed, the detector can use the set of parameters that will increase the efficiency of lighting activation by motion (maximum sensitivity of sensors) or disable the microwave sensor (PIR operation mode). If the partition is armed, the detector can use the set of parameters that will eliminate false alarms (e.g. lower sensitivity, both sensors enabled, etc.).

If the detector is working in the INTEGRA / INTEGRA Plus alarm system, you can connect to the terminal the control panel OC type output programmed e.g. as “Armed status”.

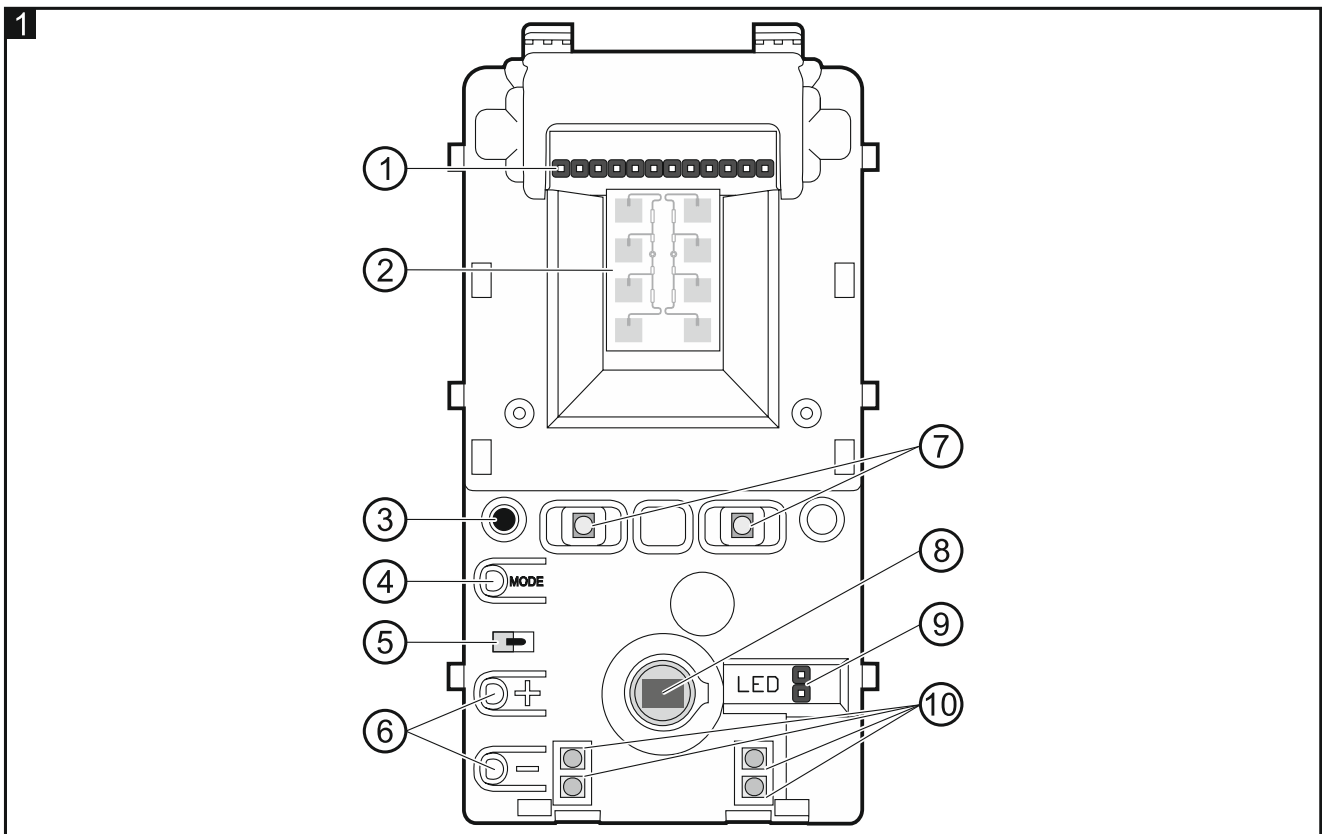
For description of how to configure detector parameters, see section “Configuring the detector”.

Remote configuration mode enable/disable

The SRVC terminal is provided to allow remote configuration mode enable/disable. The configuration mode is enabled, when the terminal is connected to the common ground.

If the detector is working in the INTEGRA / INTEGRA Plus alarm system, you can connect to the terminal the control panel OC type output programmed e.g. as “Service mode status” or “BI switch”.

3. Electronics module





Do not remove the plastic cover from the circuit board to prevent damage to the components located on the board.

Do not touch the pyroelectric sensor, so as not to soil it.

① pins for configuration of the detector outputs. Available settings are shown in the figures:

- 2 – 2 x 1.1 k Ω resistors are used,
- 3 – 2 x 4.7 k Ω resistors are used,
- 4 – 2 x 5.6 k Ω resistors are used,
- 5 – built-in resistors are not used.

If the built-in resistors are used, connect the detector outputs as shown in Fig. 14. When the built-in resistors are not used, connect the detector outputs as shown in Fig. 13.

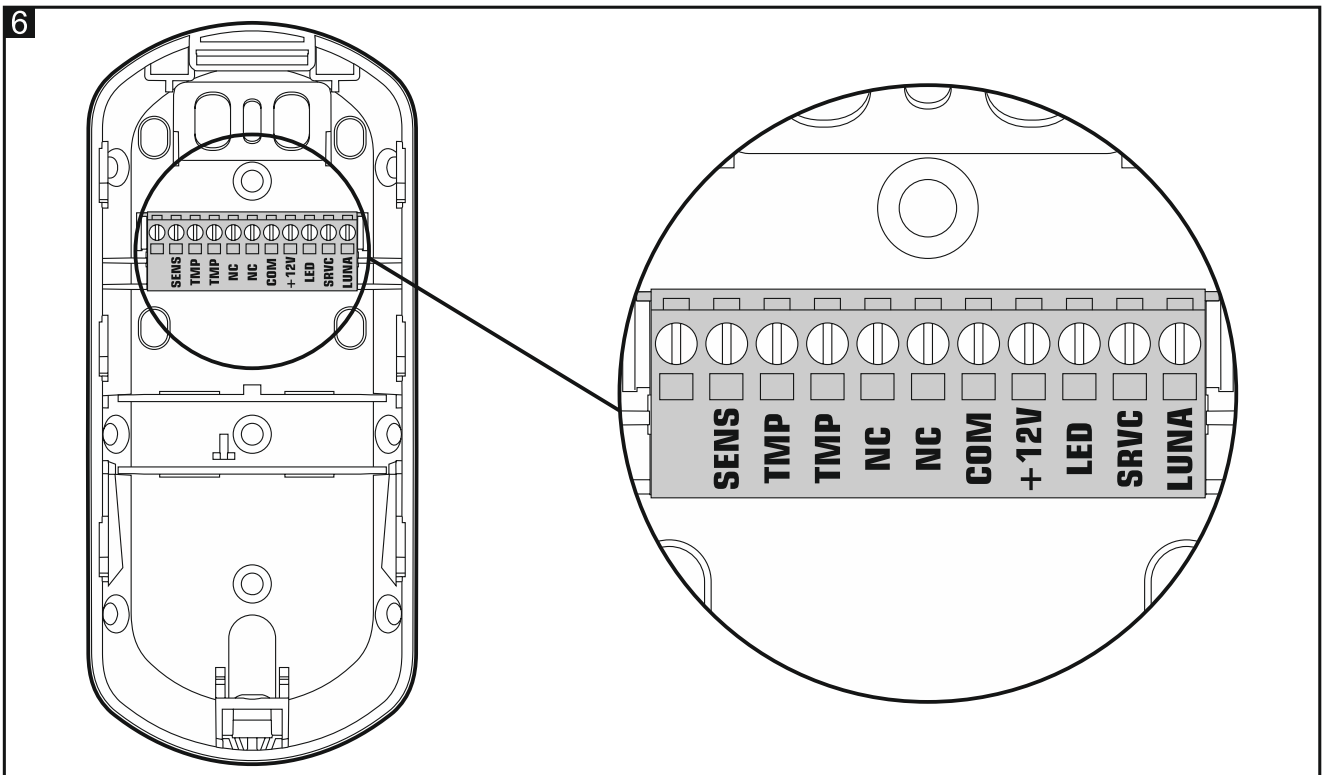
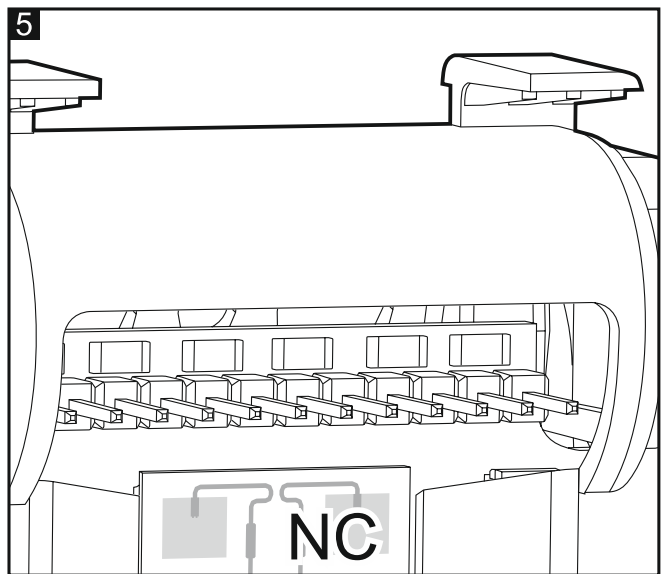
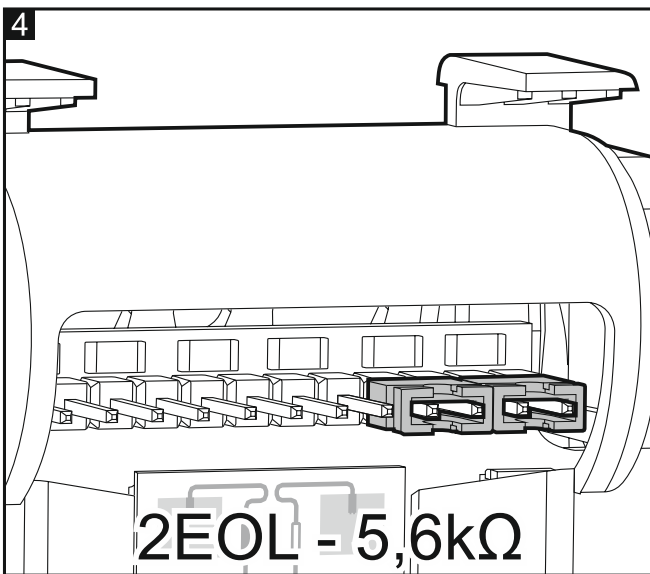
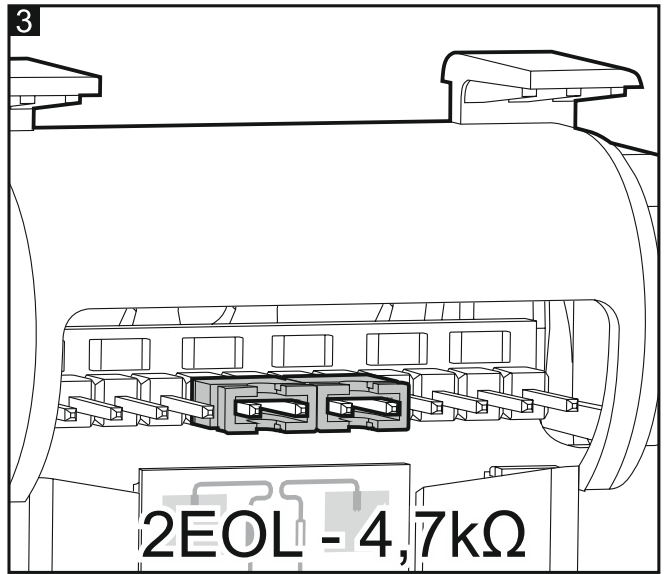
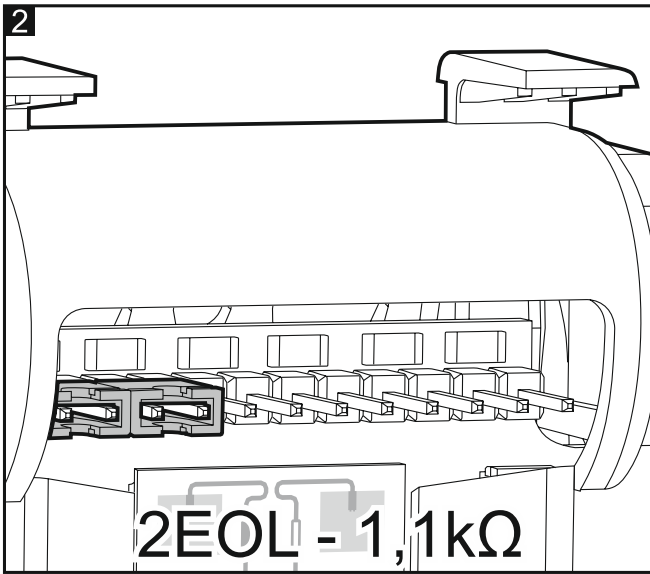
- ② microwave sensor.
- ③ infrared receiver allowing to configure the detector by means of OPT-1 keyfob. The keyfob is available in SATEL's product range.
- ④ MODE button used for configuring the detector (see "Configuring the detector").
- ⑤ tamper switch activated by cover removal.
- ⑥ buttons used for configuring the detector (see "Configuring the detector").
- ⑦ LED indicators.
- ⑧ PIR sensor (dual element pyrosensor).
- ⑨ pins to enable/disable the LED indicators.
- ⑩ LEDs for lighting.

On the other side of the electronics module is a tamper switch activated by removing the detector from the wall.

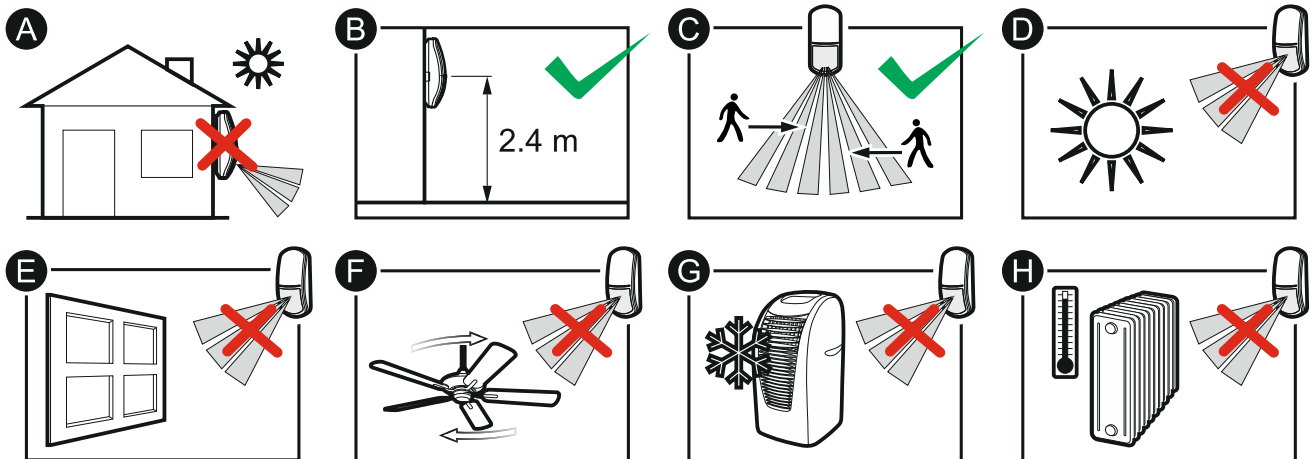
4. Terminal block

The terminal block is located on the enclosure base (Fig. 6). To get access to the terminals, you must remove the electronics module (Fig. 8).

- SENS** - switching between detector working parameters (operation mode and sensor sensitivity).
- TMP** - tamper output (NC relay).
- NC** - alarm output (NC relay).
- COM** - common ground.
- +12V** - power input.
- LED** - enable/disable the LED indicators.
- SRVC** - enable/disable the detector configuration mode.
- LUNA** - LED lighting control.



5. Selecting a mounting location



- Do not install the detector outdoors (A).
- Install the detector at the recommended height (B). The detector installed at the recommended height meets requirements of the EN 50131-2-4 standard for Grade 2.



If you choose to install the detector at a height other than the recommended (permissible installation height: up to 4 m), test the coverage area of the detector. You may need to install the detector on a bracket and tilt it in order to achieve the optimal coverage area.

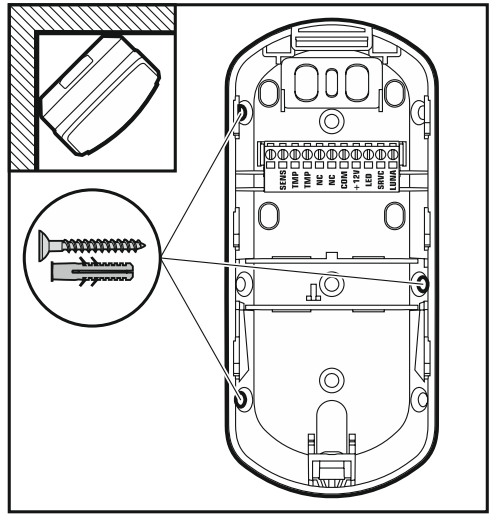
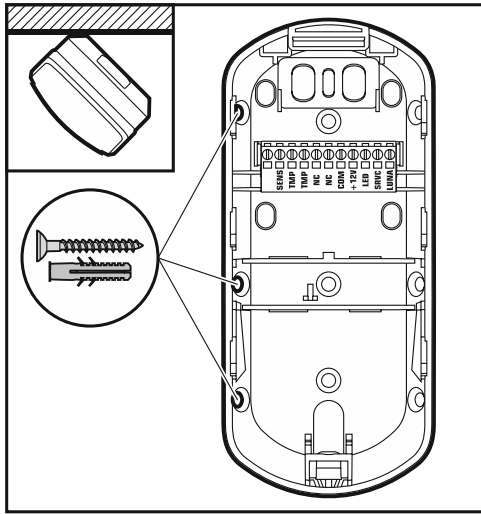
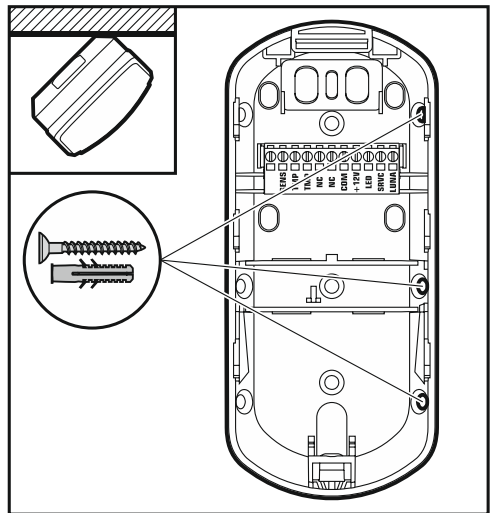
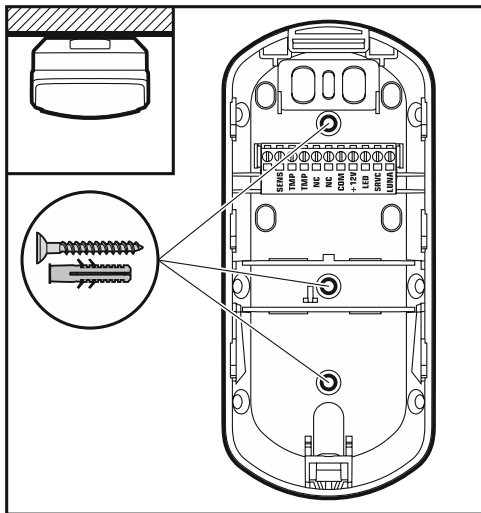
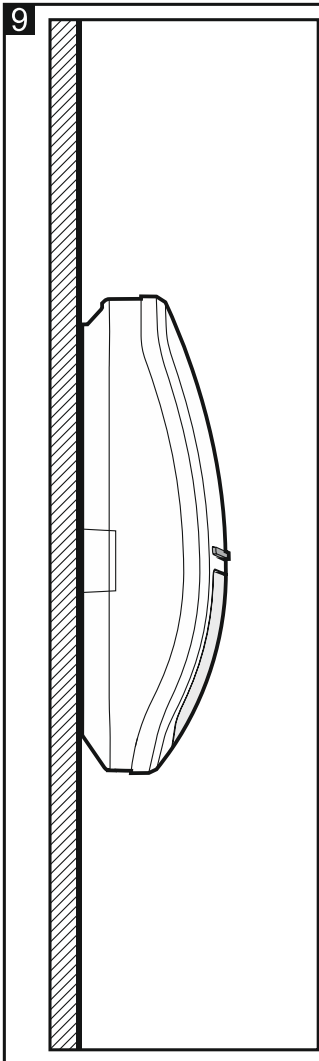
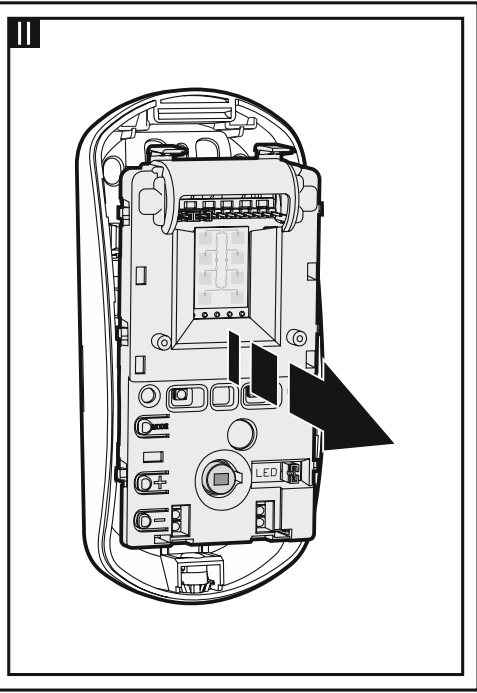
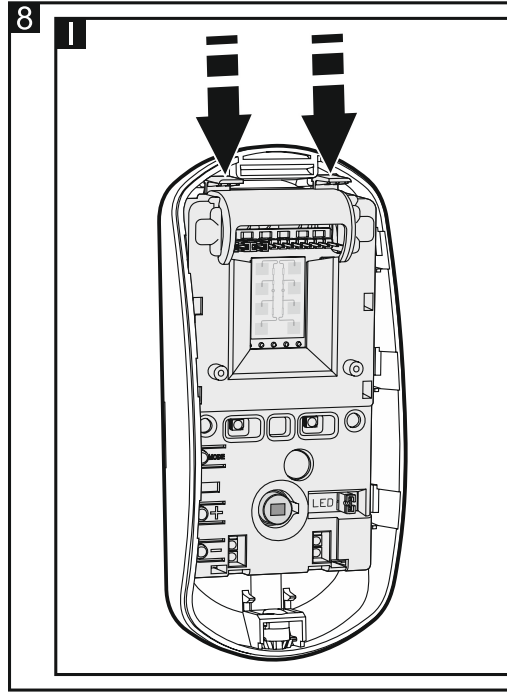
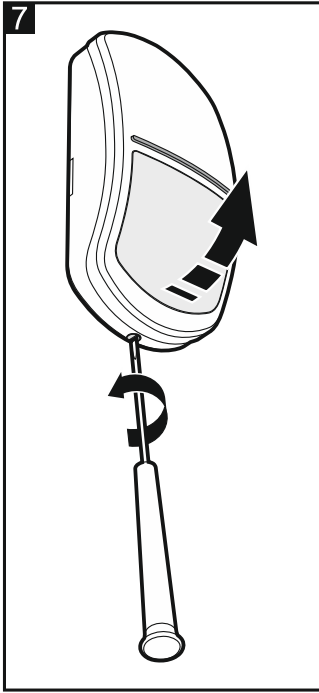
- When choosing the installation location, keep in mind that the detector performance will be the best where the expected direction of the intruder movement will be across the coverage pattern (C).
- Do not install the detector in places where it will be exposed to direct sunlight (D) or light reflected from other objects (E).
- Do not point the detector towards fans (F), air conditioners (G) or heat sources (H).

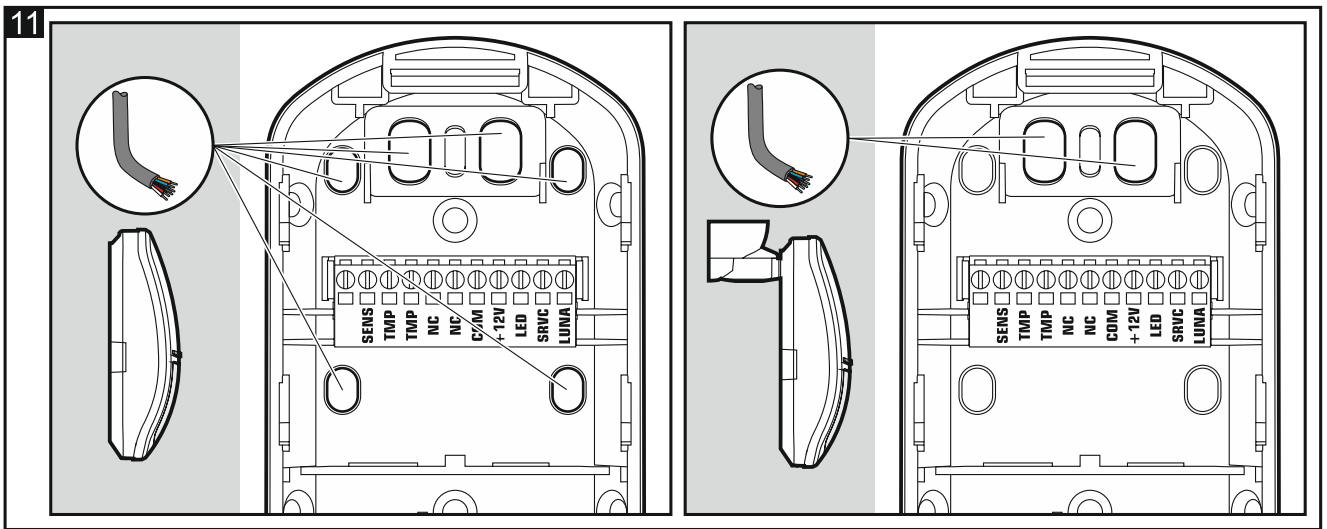
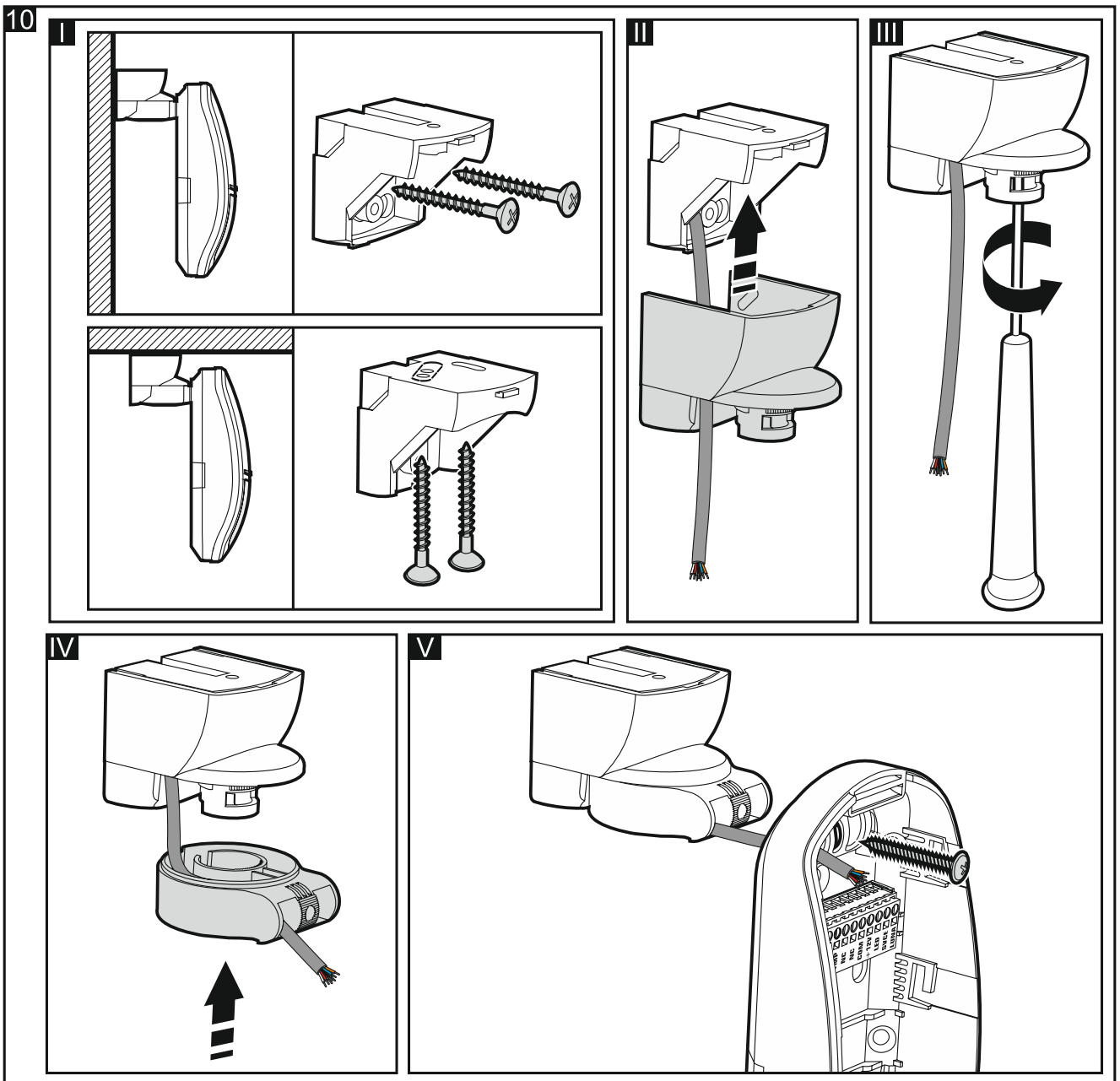
6. Installation

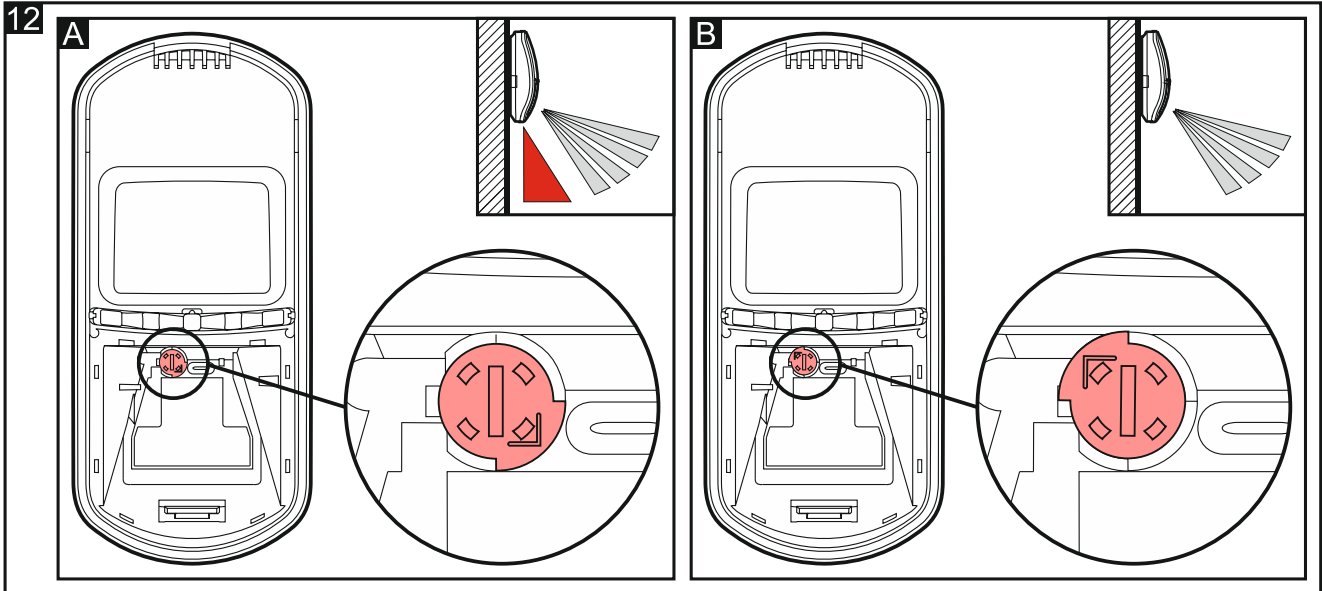


Disconnect power before making any electrical connections.

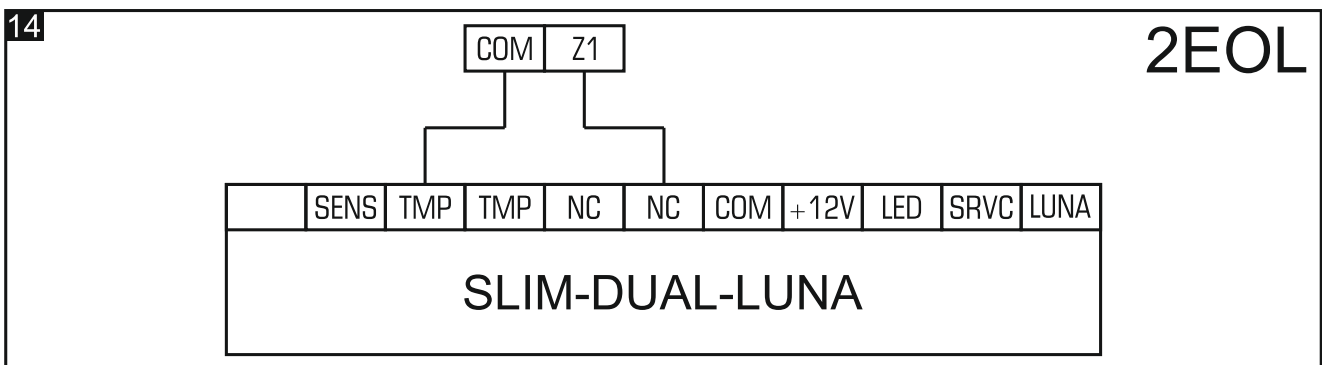
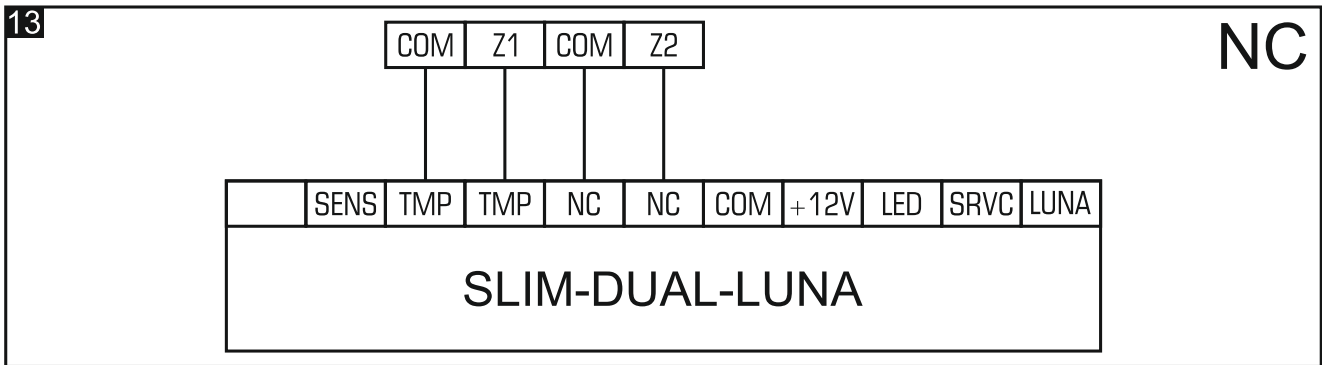
1. Remove the front cover (Fig. 7).
2. Move the electronics module down to unlock it, and then remove it from the enclosure base (Fig. 8).
3. Make the openings for screws (Fig. 9 or 10) and cable (Fig. 11) in the enclosure base.
4. Pass the cable through the prepared opening. If the detector is to be mounted on the bracket, run the cable as shown in Fig. 10.
5. Secure the enclosure base to the wall (Fig. 9) or a bracket fastened with screws to the wall or ceiling (Fig. 10). The wall plugs (anchors) delivered with the device are intended for concrete, brick, etc. For other types of surface (drywall, styrofoam), use the appropriately selected wall plugs.
6. Connect the wires to the corresponding terminals.
7. Place the electronics module in the enclosure base and then move it up to lock it.







8. Configure the detector (see “Configuring the detector”).
9. If the detector is to protect the creep zone, the knob located on the inner side of the enclosure cover is to be set in position shown in Fig. 12-A. If the detector is NOT to protect the creep zone, set the knob to the position shown in Fig. 12-B.
10. Replace the cover.



7. Configuring the detector

To configure the detector, you can use the buttons on the electronics module or the OPT-1 keyfob.



The OPT-1 keyfob is available in SATEL's product range.

Starting configuration mode

Press the MODE button on the detector electronics module for 3 seconds or connect the SRVC terminal to common ground. After starting the configuration mode, the LEDs will start flashing red. The number of flashes means the number of function you can run (see Table 1).



Pressing and holding down the - and + buttons simultaneously for 3 seconds in the configuration mode will restore the factory default settings of the detector.

In the configuration mode, the LED lighting is OFF.

Running functions and configuring parameters

1. Use the buttons on the electronics module (+ - next function; - - previous function) or the keyfob keys (○ - next function; ● - previous function) to find a function you want to run.
2. Press the MODE button on the electronics module or the ▲ key on the keyfob to run a function. After starting the function, the LEDs will start flashing green. The number of flashes means the value currently set for the parameter being configured (see Table 1).
3. Use the buttons on the electronics module (+ - next value; - - previous value) or the keyfob keys (○ - next value; ● - previous value) to configure the selected parameter.
4. Press the MODE button on the electronics module or the ▲ key on the keyfob to save the changes. When the new parameter value is saved, the LEDs will start flashing red to inform you that you have returned to the function list.

Function number	Description of parameter to be programmed
1	<p>PIR sensor sensitivity for the first set of parameters</p> <p>You can program from 1 to 16 (1 - minimum; 16 – maximum).</p> <p>By default: 8.</p> <p>When the function is running, detection of motion by the PIR sensor is indicated by the LEDs coming on red for 2 seconds. This enables the PIR sensor coverage area to be tested for the selected sensitivity.</p>
2	<p>PIR sensor sensitivity for the second set of parameters</p> <p>You can program from 1 to 16 (1 - minimum; 16 – maximum).</p> <p>By default: 8.</p> <p>When the function is running, detection of motion by the PIR sensor is indicated by the LEDs coming on red for 2 seconds. This enables the PIR sensor coverage area to be tested for the selected sensitivity.</p>
3	<p>MW sensor sensitivity for the first set of parameters</p> <p>You can program from 1 to 16 (1 - minimum; 16 – maximum).</p> <p>By default: 8.</p> <p>When the function is running, detection of motion by the MW sensor is indicated by the LEDs coming on red for 2 seconds. This enables the MW sensor coverage area to be tested for the selected sensitivity.</p>

Function number	Description of parameter to be programmed
4	<p>MW sensor sensitivity for the second set of parameters You can program from 1 to 16 (1 - minimum; 16 – maximum). By default: 8. When the function is running, detection of motion by the MW sensor is indicated by the LEDs coming on red for 2 seconds. This enables the MW sensor coverage area to be tested for the selected sensitivity.</p>
5	<p>Operation mode for the first set of parameters You can program 1 (basic), 2 (advanced), 3 (PIR) or 4 (MW). By default: 1 (basic).</p>
6	<p>Operation mode for the second set of parameters You can program 1 (basic), 2 (advanced), 3 (PIR) or 4 (MW). By default: 1 (basic).</p>
7	<p>LED indicators light color after motion is detected by PIR sensor You can program from 1 to 8 (1-7 – color; 8 – no light). By default: 4 (purple). In addition to the presentation of value (flashing green), the LEDs show the color assigned to that value (for 2 seconds).</p>
8	<p>LED indicators light color after motion is detected by MW sensor You can program from 1 to 8 (1-7 – color; 8 – no light). By default: 2 (green). In addition to the presentation of value (flashing green), the LEDs show the color assigned to that value (for 2 seconds).</p>
9	<p>LED indicators light color when indicating alarm / trouble You can program from 1 to 7 (1-7 – color). By default: 3 (blue). In addition to the presentation of value (flashing green), the LEDs show the color assigned to that value (for 2 seconds).</p>
10	<p>Lighting operation modes You can program 1 (remote control only), 2 (remote control and activation by motion) or 3 (activation by motion if the LUNA terminal is connected to common ground). By default: 1 (remote control only).</p>
11	<p>Duration of motion activated lighting You can program 1 (5 s), 2 (15 s), 3 (30 s), 4 (60 s), 5 (90 s) or 6 (180 s). By default: 3 (30 s).</p>
12	<p>Method of lighting turning off You can program 1 (instant turn off) or 2 (slow dim down). By default: 2 (slow dim down).</p>

Table 1



When setting sensitivity of the MW sensor, keep in mind that microwaves can penetrate e.g. glass, plaster walls, non-metal doors, etc.

The color of LED light has an impact on the current consumption by the detector. The red, green and blue colors ensure the lowest current consumption. Selecting other colors will increase the current consumption by as much as several milliamperes.

Ending configuration mode

Press the MODE button on the electronics module for 3 seconds or disconnect the SRVC terminal from common ground.



If you started the configuration mode by using the MODE button, the configuration mode will be ended automatically 20 minutes after the last operation performed by the user.

8. Start-up and walk test



The LED indicators should be enabled during the walk test (see “LED indicators”).



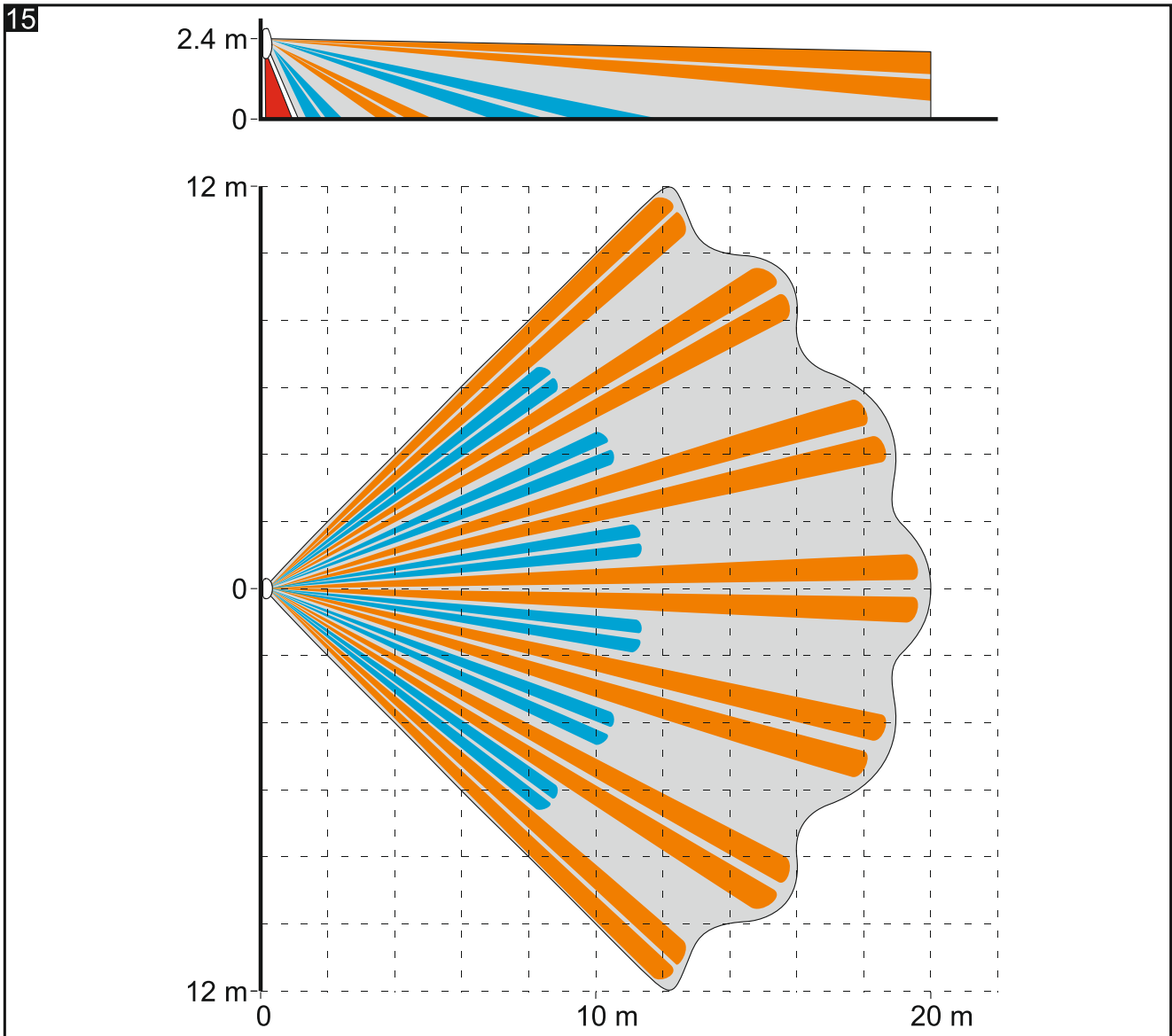
1. Power on the detector. The LEDs will flash alternately different colors for 30 seconds to indicate warm-up of the detector.
2. When the LEDs stop flashing, check that moving within the detector coverage area will make the LEDs to turn on. Figure 15 shows the maximum coverage area  and the creep zone  of a detector installed at a height of 2.4 m.



Figure 15 shows the coverage area of the SLIM-DUAL-LUNA detector with a wide-angle lens (WD), which is installed in the detector by default. You can use the enclosure cover with another lens. The SATEL product range includes covers with a curtain lens (CT) and a long-range lens (LR).



Separate testing of sensors

If you wish to test the sensors separately, you can do so when configuring sensitivity of the given sensor (see “Configuring the detector”).

1. Run the sensor sensitivity configuring function.
2. Make sure that moving within the coverage area will make the LEDs turn on red.
3. If necessary, change the sensitivity.

9. Specifications

Supply voltage	12 VDC ±15%
Standby current consumption	14 mA
Maximum current consumption	100 mA
EOL resistors	2 x 1.1 kΩ / 2 x 4.7 kΩ / 2 x 5.6 kΩ,
Outputs	
alarm (NC relay, resistive load).....	40 mA / 24 VDC
tamper (NC relay, resistive load)	40 mA / 24 VDC
Relay contact resistance	
alarm output.....	26 Ω

tamper output	26 Ω
Microwave frequency	24.125 GHz
Detectable speed	0.3...3 m/s
Alarm signaling period	2 s
Warm-up period	30 s
Recommended installation height.....	2.4 m
Permissible installation height.....	up to 4 m
Coverage area (installation at 2.4 m).....	20 m x 24 m, 90°
Security grade according to EN 50131-2-4.....	Grade 2
Compliance with standards.....	EN 50131-1, EN 50131-2-4, EN 50130-4, EN 50130-5
Environmental class according to EN 50130-5	II
Operating temperature range.....	-10°C...+55°C
Maximum humidity	93±3%
Dimensions	62 x 137 x 42 mm
Weight.....	144 g

5 year warranty from date of manufacture