



CABLE SET FOR PROGRAMMING DEVICES WITH RS-232 TTL PORT **DB9FC/RJ-KPL**

db9fcrj_en 08/08

The DB9FC/RJ-KPL cable set includes the DB9FC/RJ main cable, RJ/PIN3 adapter, PIN3/RX adapter and connector with two RJ (6-pin) sockets. The first two cables are marked by yellow cable flag labels with suitable symbol printed on them.

This set replaces the two cables manufactured earlier under the name of DB9FC/PIN3 (or RS-CA5/6/R-2/4) and DB9FC/RJ. It enables computer to be connected to devices with RS-232 TTL port, irrespective of what type of socket is used in them (PIN3 or RJ).

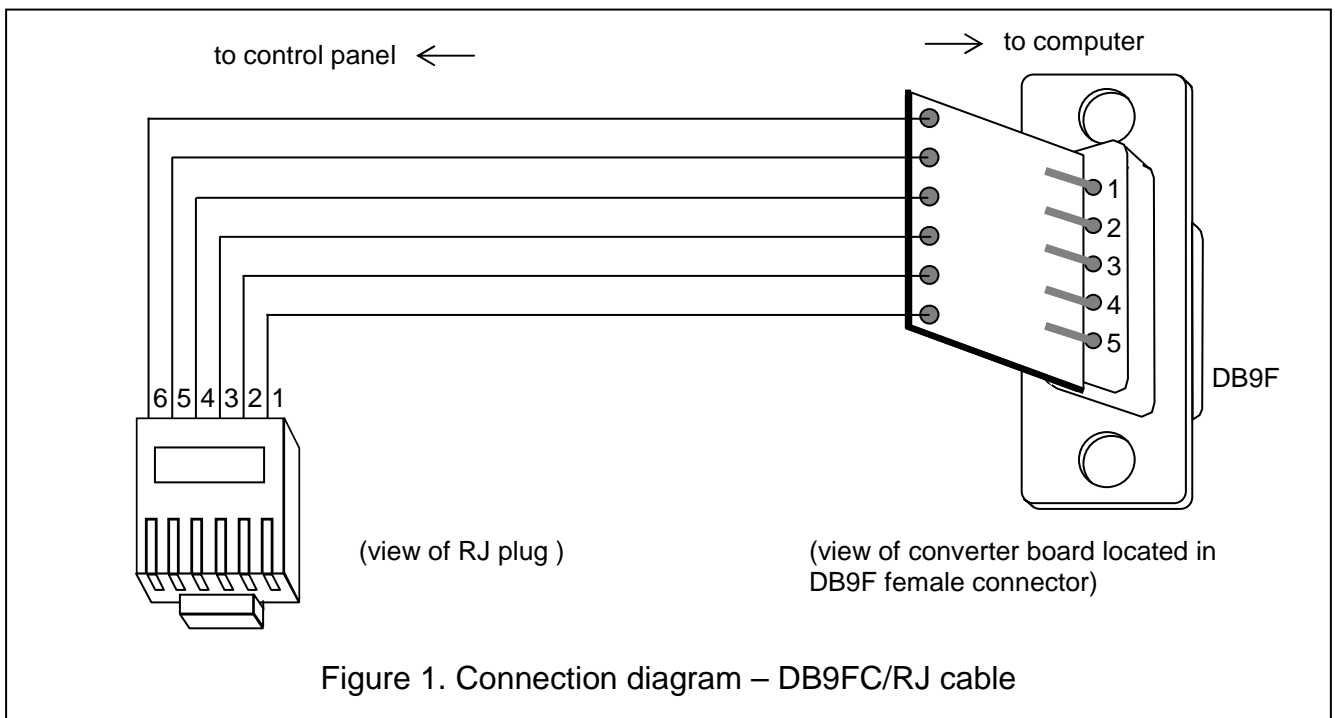
The DB9FC/RJ cable has a built-in data converter from RS-232 (-12V, +12V) into RS-232 TTL (0V, +5V) standard.

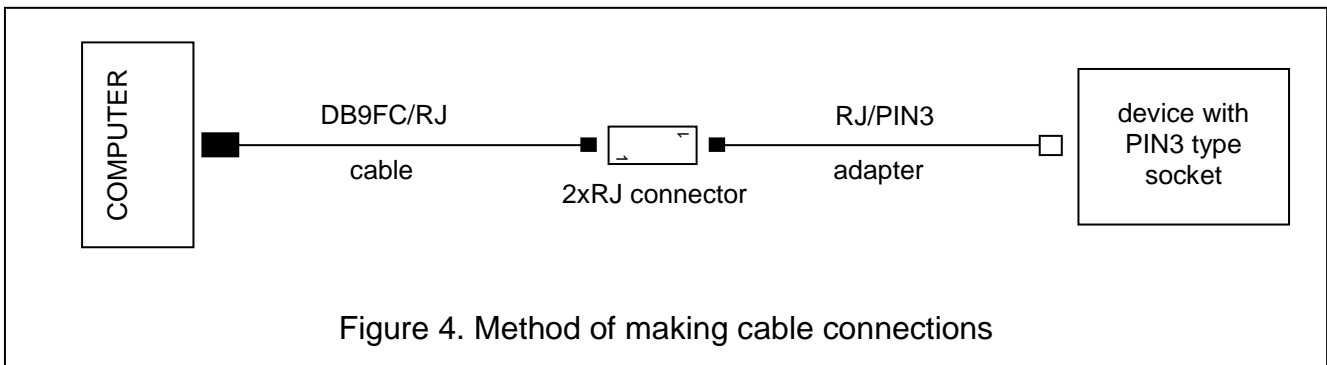
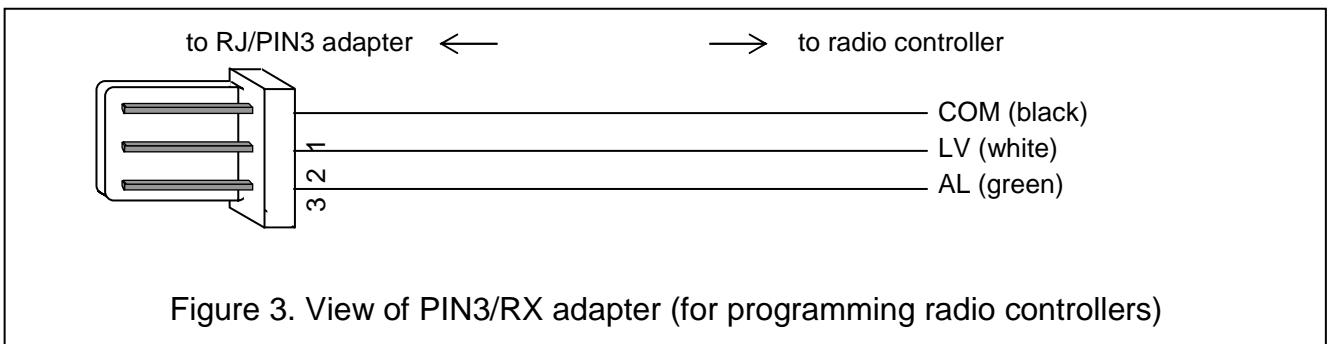
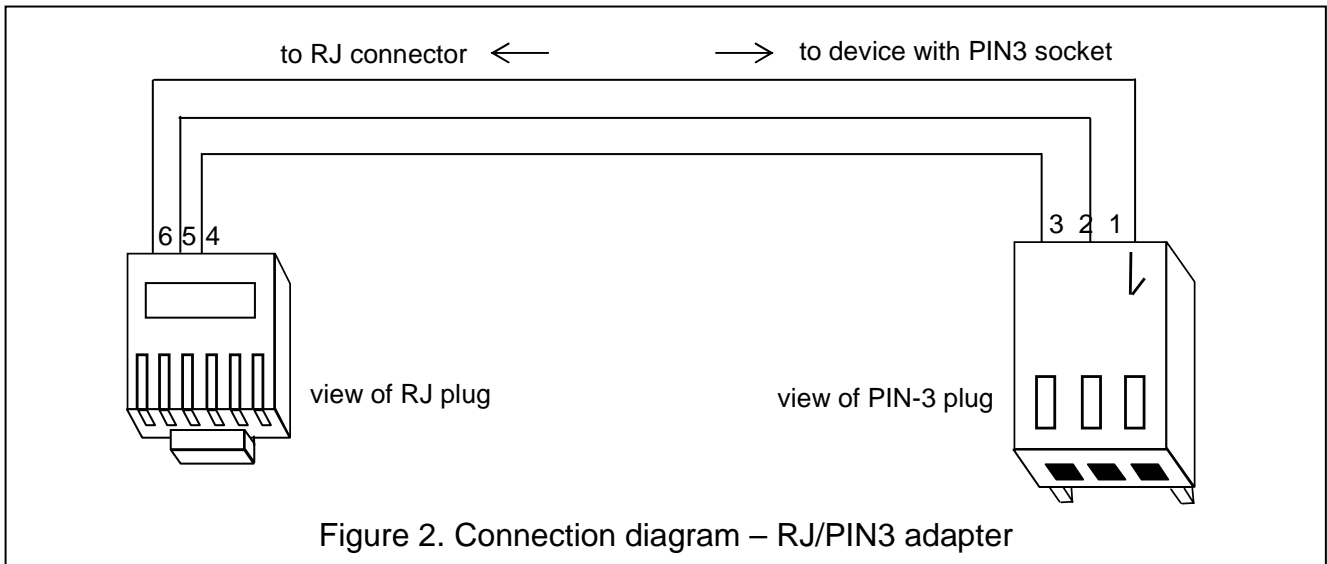
The set is designed for use with the following devices:

- CA-6, CA-5 alarm control panels (all electronics board versions);
- RX-2K, RX-4K, RE-4K radio controllers;
- INT-RX 433MHz keyfobs receiver expansion module
- ACCO-KP, ACCO-KP-PS access control modules.

Note: The cables designated DB9FC/RJ, manufactured up to 2007 (including 2007) and sold individually (without adapters), do not allow programming the CA-5, CA-6 control panels with PIN3 socket, as well as the radio controllers (even when using the adapters described herein).

The figures below show connection diagrams.





The latest EC declaration of conformity and product approval certificates are available for downloading on website www.satel.pl



SATEL sp. z o.o.
ul. Schuberta 79
80-172 Gdańsk
POLAND
tel. + 48 58 320 94 00
info@satel.pl
www.satel.pl