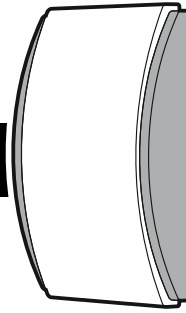




ASP-205

WIRELESS INDOOR SIREN



CE 1471

asp205_en 03/17

The ASP-205 siren provides information about alarm situations by means of optical and acoustic signaling. The siren is designed for operation within the ABAX two-way wireless system. It takes up two positions on the list of wireless devices. This manual applies to the siren with firmware version 5.02, which is supported by:

- ACU-120 / ACU-270 controller,
- ACU-100 / ACU-250 controller with firmware version 4.03 2015-03-10 (or newer),
- ARU-100 repeater with firmware version 2.02 (or newer),
- INTEGRA 128-WRL control panel with firmware version 1.13 2015-08-27 (or newer).

1. Features

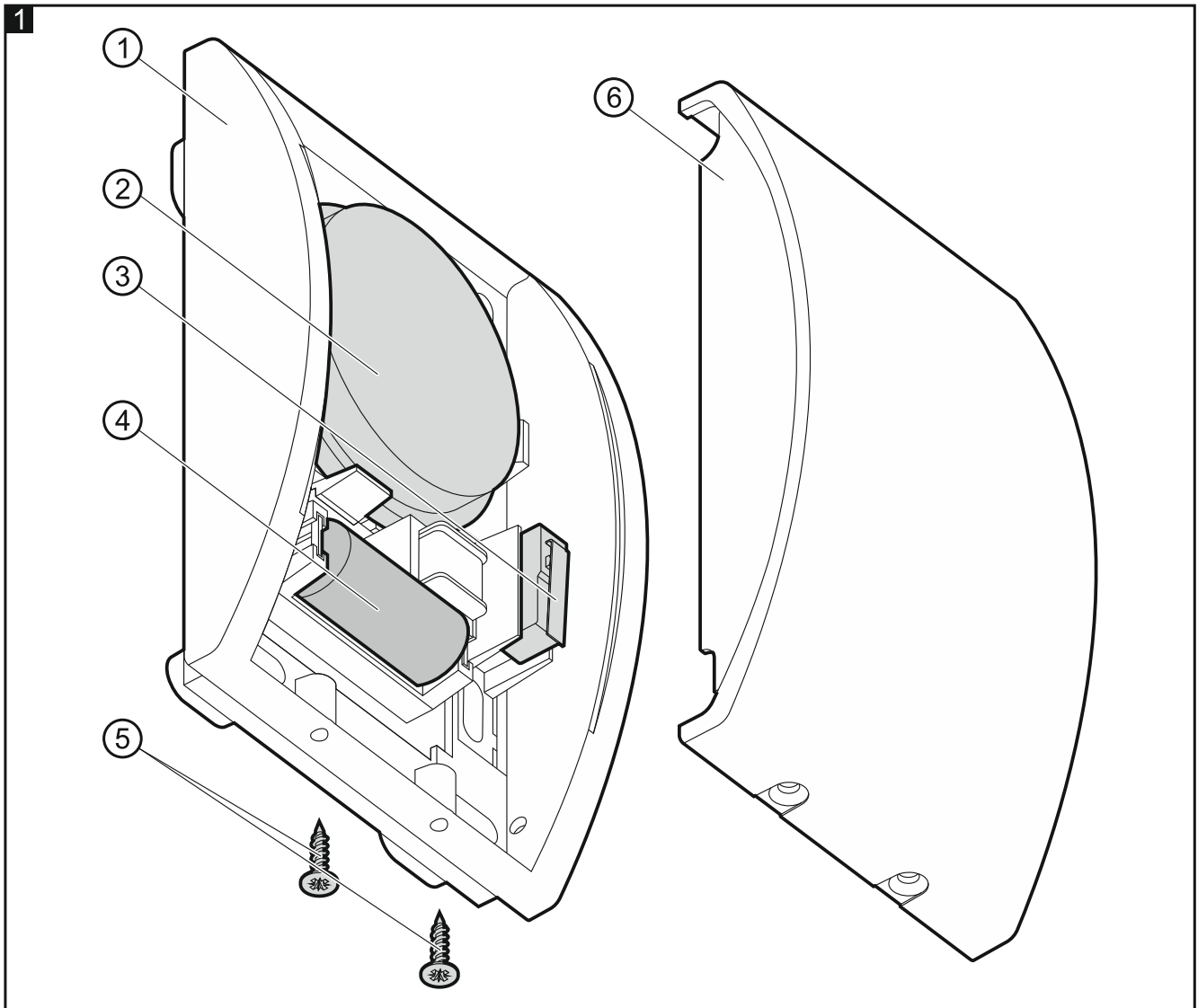
- Acoustic signaling by means of piezoelectric transducer.
- Optical signaling by means of LEDs.
- Remote configuring.
- Power supply from 3 V lithium battery.
- Battery status control.
- Tamper protection against cover removal and tearing enclosure from the wall.
- High-impact polycarbonate enclosure, featuring a very high mechanical strength.

2. Specifications

Operating frequency band	868.0 MHz ÷ 868.6 MHz
Radio communication range (in open area).....	up to 500 m
Battery	CR123A 3 V
Battery life expectancy.....	up to 2 years
Operating temperature range.....	0°C ...+55°C
Maximum humidity.....	93±3%
Dimensions	87 x 133 x 37 mm
Weight.....	180 g

Hereby, SATEL sp. z o.o., declares that this siren is in compliance with the essential requirements and other relevant provisions of Directive 1999/5/EC. The declaration of conformity may be consulted at www.satel.eu/ce

3. Description



Explanations for Fig. 1:

- ① enclosure base.
- ② piezoelectric transducer.
- ③ tamper switch (tamper alarm triggered if open).
- ④ battery.
- ⑤ cover locking screws.
- ⑥ enclosure cover.

Triggering the alarm signaling

The alarm signaling is triggered:

- on receiving the start signaling command (this command is sent only during the polling) – you can configure two different signaling modes for two alarm types (e.g. the burglary alarm and the fire alarm).
- on opening the tamper switch – both optical and acoustic signaling (sound type 1) is triggered. The signaling lasts for 3 minutes. Opening the tamper switch will not trigger any signal:
 - for 40 seconds after power-on,

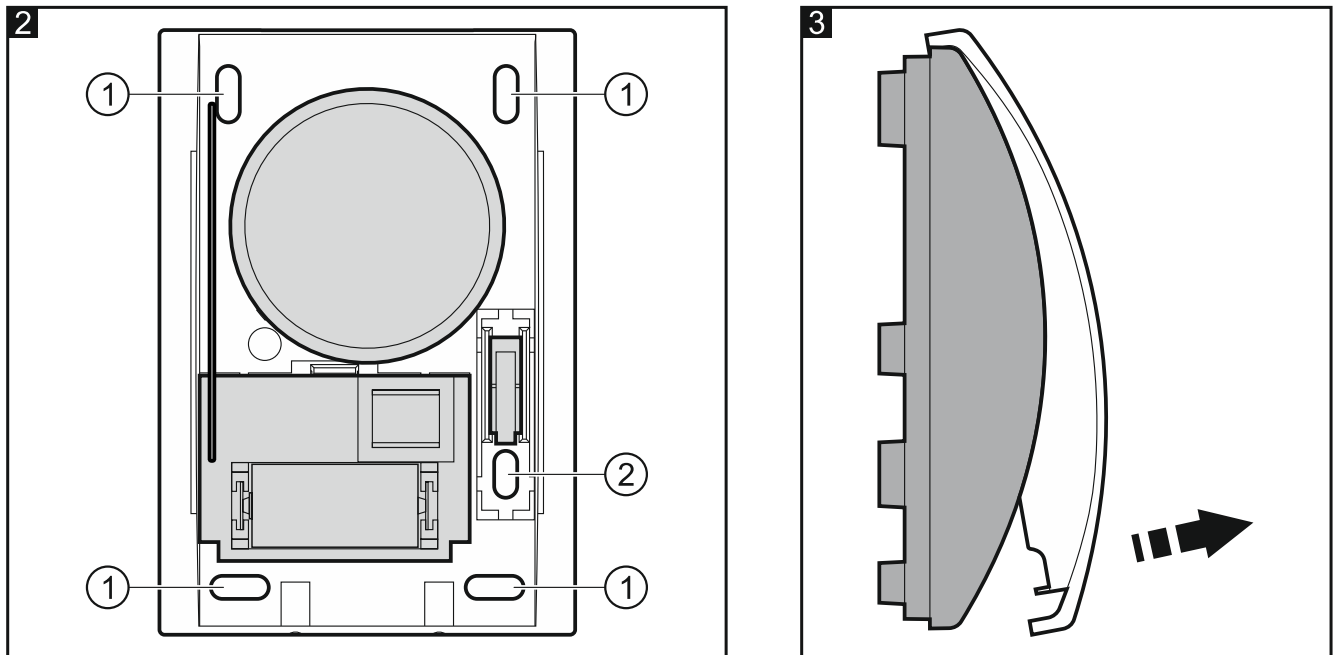
- when the ABAX system is running in test mode,
- when the control panel is running in service mode.

The command to block/unblock the signaling is connected with starting/ending the test mode or the service mode is sent during the polling.

Battery status control

When the battery voltage is below 2.5 V, information about low battery is sent during each transmission.

Enclosure base



Explanations for Fig. 2:

- ① mounting hole.
- ② tamper mounting hole.

4. Installation and start-up



There is a danger of battery explosion when using a different battery than recommended by the manufacturer, or handling the battery improperly.

Be particularly careful during installation and replacement of the battery. The manufacturer is not liable for the consequences of incorrect installation of the battery.

The used batteries must not be discarded, but should be disposed of in accordance with the existing rules for environment protection.

Never shorten or deform the antenna.

The siren should be installed indoors, in spaces with normal air humidity. The siren must be installed on the wall, high above the floor, at a hard to access location, so as to minimize the risk of tampering. Make sure that some free space is left above the siren (at least 1 cm). Otherwise, it will be impossible to replace the cover.

1. Remove the cover locking screws.
2. Lift up the enclosure cover by approx. 60° and remove it (see Fig. 3).
3. Install the battery.

4. Add the siren to the wireless system (see the ABAX controller manual or the INTEGRA 128-WRL / VERSA / VERSA Plus / VERSA IP control panel installer manual). The sticker with serial number which shall be entered when registering the siren in the system can be found on the electronics board.
5. Replace the siren cover.
6. Fasten the siren temporarily at the place of its future installation.
7. Check the level of signal received from the siren by the ABAX controller or the INTEGRA 128-WRL control panel. If the signal level is lower than 40%, select another place for installation. Sometimes, it is sufficient to shift the device ten or twenty centimeters to obtain a considerable improvement in the signal quality.
8. Remove the siren cover.
9. Remove the battery.
10. Place the enclosure base on the wall and mark the location of mounting holes (see Fig. 2). Be sure to take into account the tamper mounting hole.
11. Drill the holes for wall plugs (screw anchors).
12. Secure the enclosure base to the wall with wall plugs (screw anchors) and screws. Remember about the tamper mounting hole. The wall plugs (screw anchors) and screws delivered with the siren are intended for brick, concrete and similar mounting surfaces. For other surfaces (e.g. drywall, wood, styrofoam), use other wall plugs (screw anchors), as required.
13. Install the battery.
14. Replace the siren cover and fasten it with screws.
15. Configure the siren (e.g. define the way of signaling and maximum duration of signaling). For detailed information on how to configure the siren, refer to the controller / control panel manual.