

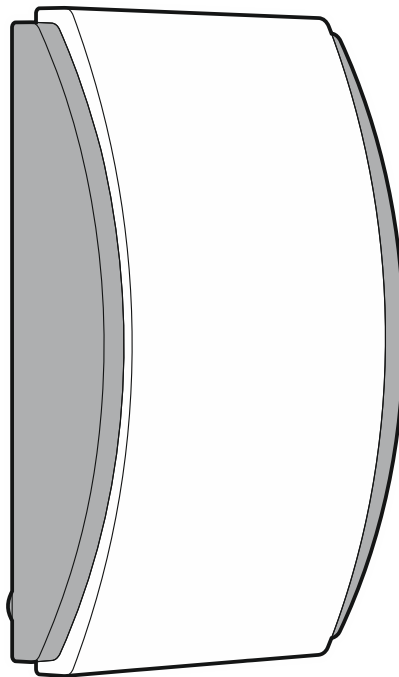
Satel®

abox2

ASP-215

Wireless indoor siren

CE



Firmware version 1.00

asp-215_en 01/19

SATEL sp. z o.o. • ul. Budowlanych 66 • 80-298 Gdańsk • POLAND
tel. +48 58 320 94 00
www.satel.eu

IMPORTANT

The device should be installed by qualified personnel.

Prior to installation, please read carefully this manual.

Changes, modifications or repairs not authorized by the manufacturer shall void your rights under the warranty.

The rating plate of the device is located on the enclosure base.

SATEL aims to continually improve the quality of its products, which may result in changes in their technical specifications and software. Current information about the changes being introduced is available on our website.

Please visit us at:
<http://www.satel.eu>

Hereby, SATEL sp. z o.o. declares that the radio equipment type ASP-215 is in compliance with Directive 2014/53/EU. The full text of the EU declaration of conformity is available at the following internet address: www.satel.eu/ce

The following symbols may be used in this manual:



- note,



- caution.

The ASP-215 siren provides information about alarm situations by means of optical and acoustic signaling. It is designed for operation within the ABAX 2 / ABAX two-way wireless system. This manual applies to the siren with firmware version 1.00 (or newer), which is supported by:

- ABAX 2:
 - ACU-220 / ACU-280 controller,
 - ARU-200 repeater.
- ABAX:
 - ACU-120 / ACU-270 controller (firmware version 5.04 or newer),
 - ARU-100 repeater (firmware version 2.02 or newer),
 - INTEGRA 128-WRL control panel (firmware version 1.19 or newer and firmware version of processor used to operate ABAX system 3.10 or newer).

The siren occupies two positions on the list of wireless devices.

1 Features

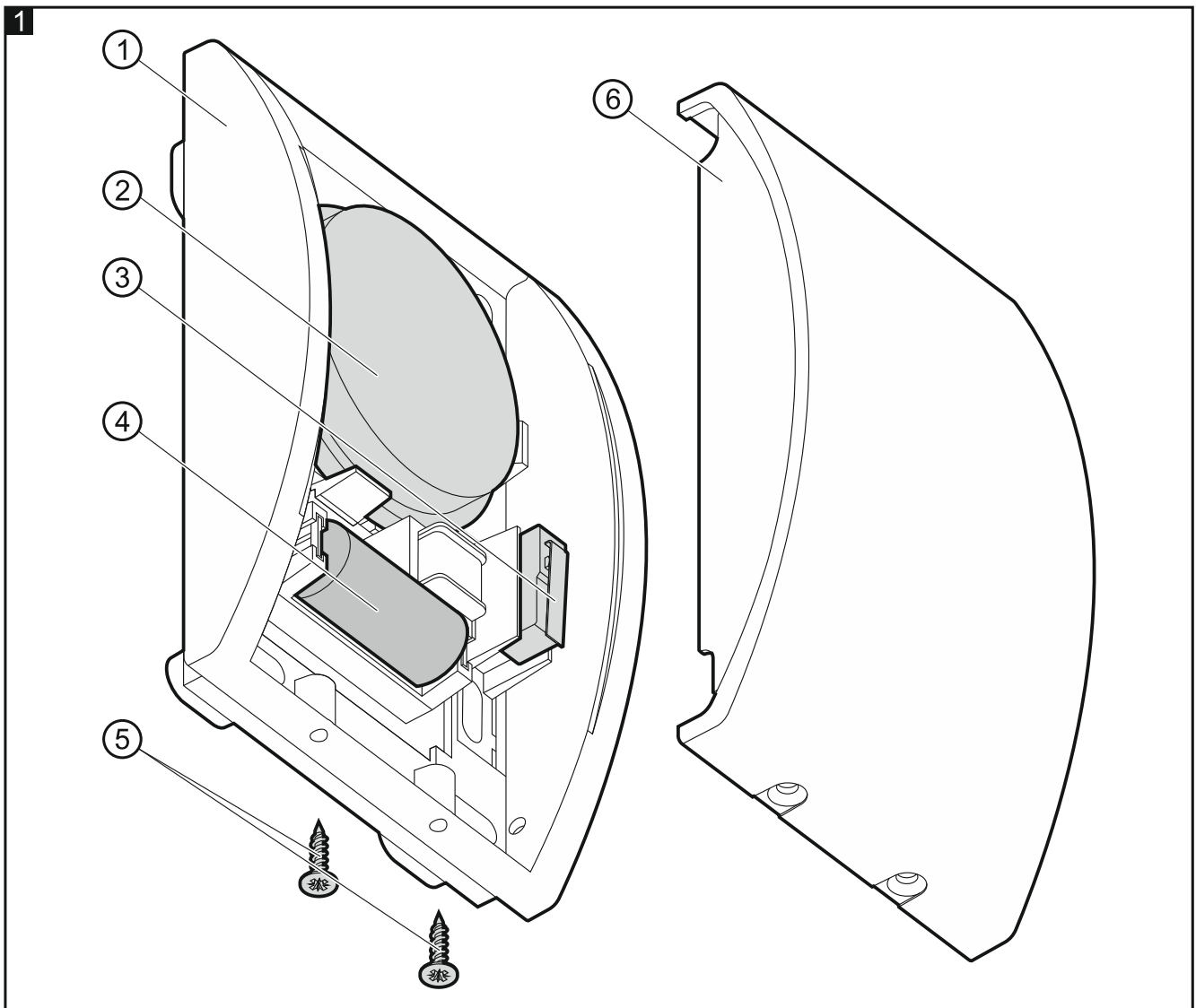
- Acoustic signaling by means of piezoelectric transducer.
- Optical signaling by means of LEDs.
- Encrypted two-way radio communication in the 868 MHz frequency band (AES standard for the ABAX 2 system).
- Transmission channel diversity – 4 channels for automatic selection of the one that will enable transmission without interference with other signals in the 868 MHz frequency band (ABAX 2 system only).
- Remote update of siren firmware (ABAX 2 system only).
- Remote configuration.
- Built-in temperature sensor (temperature measurement range from -10°C to +55°C).
- Power supply from 3 V lithium battery.
- “ECO” option for longer battery life (ABAX 2 system only).
- Battery status control.
- Tamper protection against enclosure opening and removal from mounting surface.
- High-impact polycarbonate enclosure, featuring a very high mechanical strength.

2 Specifications

Operating frequency band	868.0 MHz ÷ 868.6 MHz
Radio communication range (in open area)	
ABAX 2	
ACU-220	up to 2000 m
ACU-280	up to 1600 m
ABAX.....	up to 500 m
Battery	CR123A 3 V
Battery life expectancy	up to 2 years
Temperature measurement range	-10°C...+55°C
Temperature measurement accuracy	±1°C
Standby current consumption	70 µA
Maximum current consumption	40 mA

Sound pressure level (at 1 m distance).....	up to 105 dB
Complied with standards. EN 50130-4, EN 50130-5, EN 50131-1, EN 50131-4, EN 50131-5-3	
Security grade according to EN 50131-1	Grade 2
Environmental class according to EN50130-5	II
Operating temperature range.....	-10°C...+55°C
Maximum humidity	93±3%
Dimensions	87 x 133 x 37 mm
Weight.....	180 g

3 Description



- ① enclosure base.
- ② piezoelectric transducer.
- ③ tamper switch.
- ④ battery.
- ⑤ cover locking screws.
- ⑥ enclosure cover.

Radio communication

The siren connects to the controller / control panel at regular time intervals to provide information about its state (periodical communication). Additional communication takes place when the siren informs the controller / control panel about tamper (the tamper information is sent immediately).

Triggering the signaling

The signaling is triggered:

- on receiving a radio command from the controller / control panel – you can configure two independently triggered signaling modes which will make it possible to distinguish between two alarms (e.g. burglary and fire). For more information about signaling parameters, please refer to the ABAX 2 / ABAX controller / INTEGRA 128-WRL control panel manual. The command to start / stop the signaling is sent during periodical communication.
- on opening the tamper switch – optical and acoustic signaling (tone type 1) is triggered. Duration of the signaling is 3 minutes.

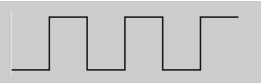


1	Two sound frequencies (1450 Hz/2000 Hz) alternating within 1 second.	
2	Sound with rising frequency (from 1450 Hz to 2000 Hz) within 1 second.	
3	Sound with falling frequency (from 2000 Hz to 1450 Hz) within 1 second.	

Table 1. Tone types for acoustic signaling.

Blocking the tamper signaling

Opening the tamper switch will not trigger the alarm in the following cases:

- for 40 seconds after the battery is installed,
- when the ABAX 2 / ABAX system is running in the test mode (the way of starting / ending the test mode is described in the ABAX 2 / ABAX controller / INTEGRA 128-WRL control panel manual),
- when the control panel is running in the service mode (the way of starting / ending the service mode is described in the INTEGRA / VERSA control panel manual).

The command to block / unblock the tamper signaling (after starting / ending the test mode or the service mode) is sent during periodical communication.

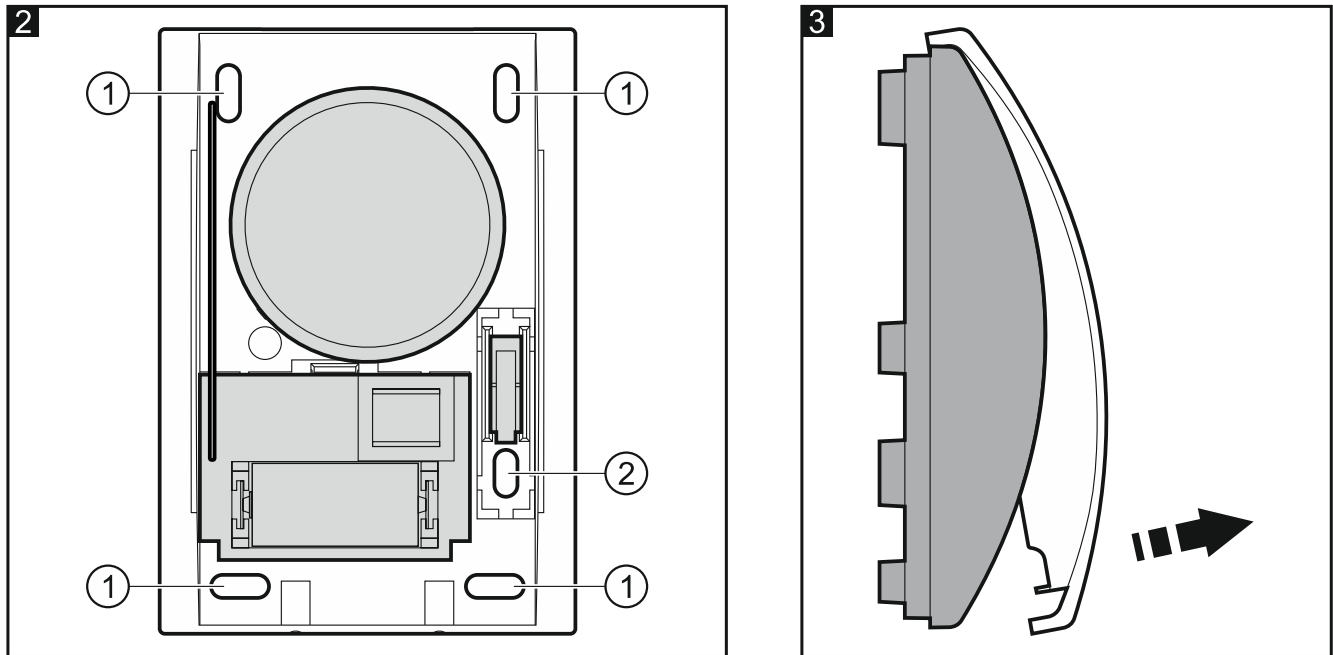
Energy saving mode (ECO)

If you want to prolong the battery life, you can enable in the siren the “ECO” option. When the “ECO” option is enabled, the periodical communication takes place every 3 minutes. Thus the battery life can be increased as much as fourfold. The option is only available in the ABAX 2 system. The siren with “ECO” option enabled meets requirements of the EN 50131-1 standard for Grade 2.

Battery status control

When the battery voltage is below 2.75 V, information about low battery is sent during each transmission.

Enclosure base



Explanations for Fig. 2:

- ① mounting hole.
- ② mounting hole for tamper protection.

4 Installation and start-up



Never shorten or deform the antenna.

There is a danger of battery explosion when using a different battery than recommended by the manufacturer, or handling the battery improperly.

Be particularly careful during installation and replacement of the battery. The manufacturer is not liable for the consequences of incorrect installation of the battery.

The used batteries must not be discarded, but should be disposed of in accordance with the existing rules for environment protection.

The siren should be installed indoors, in spaces with normal air humidity. The siren must be installed on the wall, high above the floor, at a hard to access location, so as to minimize the risk of tampering. Make sure that some free space is left above the siren (at least 1 cm). Otherwise, it will be impossible to replace the cover.

1. Remove the cover locking screws.
2. Lift up the enclosure cover by approx. 60° and remove it (Fig. 3).
3. Install the battery.
4. Add the siren to the wireless system (see the ABAX 2 / ABAX controller manual or the INTEGRA 128-WRL control panel installer manual). The sticker with serial number which shall be entered when registering the siren in the system can be found on the electronics board.



In the INTEGRA / VERSA alarm system, the siren is identified as ASP-205.

Simultaneous operation of the siren by the ABAX 2 and ABAX controller / INTEGRA 128-WRL alarm control panel is not possible.

5. Replace the siren cover.
6. Place the siren in the location intended for its installation.
7. Check the level of signal received from the siren by the ABAX 2 / ABAX controller or the INTEGRA 128-WRL control panel. If the signal level is lower than 40%, select another place for installation. Sometimes, it is sufficient to shift the device ten or twenty centimeters to obtain a considerable improvement in the signal quality.



The ARF-200 tester makes it possible to check the radio signal strength at the place of future installation without having to put the siren there.

8. Remove the siren cover.
9. Remove the battery.
10. Place the enclosure base on the wall and mark the location of mounting holes (Fig. 2). Remember to take into account the mounting hole for tamper protection.
11. Drill the holes for wall plugs (anchors).
12. Use wall plugs (anchors) and screws to secure the enclosure base to the mounting surface. Remember about the mounting hole for tamper protection. The wall plugs delivered with the device are intended for concrete, brick, etc. For other types of surface (drywall, styrofoam), use the appropriately selected wall plugs.
13. Install the battery.
14. Replace the siren cover and fasten it with screws.
15. Configure the siren settings (e.g. the signaling parameters – see the ABAX 2 / ABAX controller manual / the INTEGRA 128-WRL control panel manual).