

The SPW-150 indoor siren is designed for operation in the intruder alarm systems.

## 1. Features

- Acoustic signaling by means of piezoelectric transducer.
- Three selectable tones.
- Tamper protection in 2 ways – cover removing and tearing enclosure from the wall.
- Battery back-up power supply.
- Alarm by main power failure.

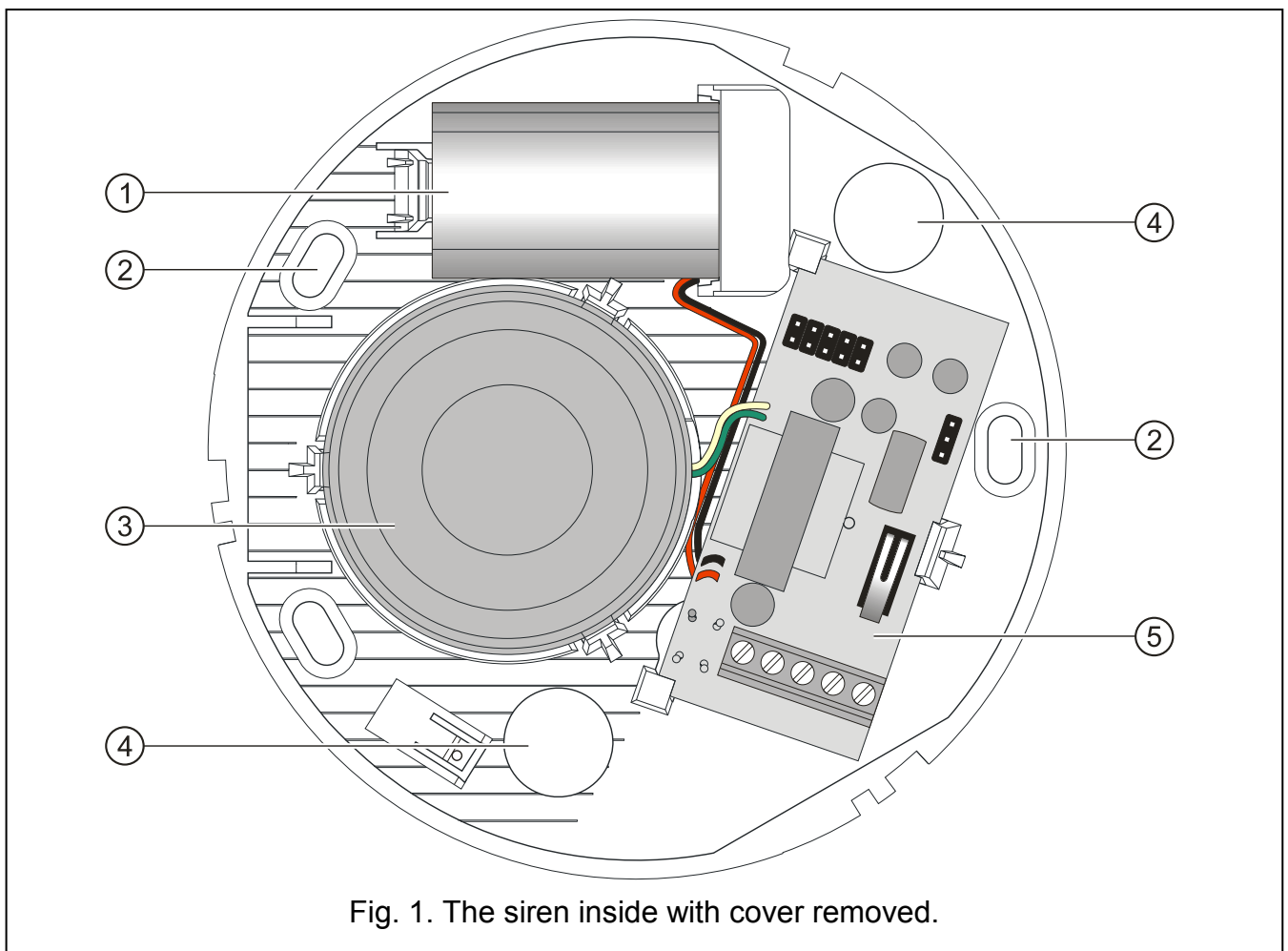


Fig. 1. The siren inside with cover removed.

Explanations for Fig. 1:

- 1 - battery.
- 2 - mounting holes.

- 3 - piezoelectric transducer.
- 4 - cable entry holes.
- 5 - electronics board (Fig. 2).

## 2. Description of Electronics Board

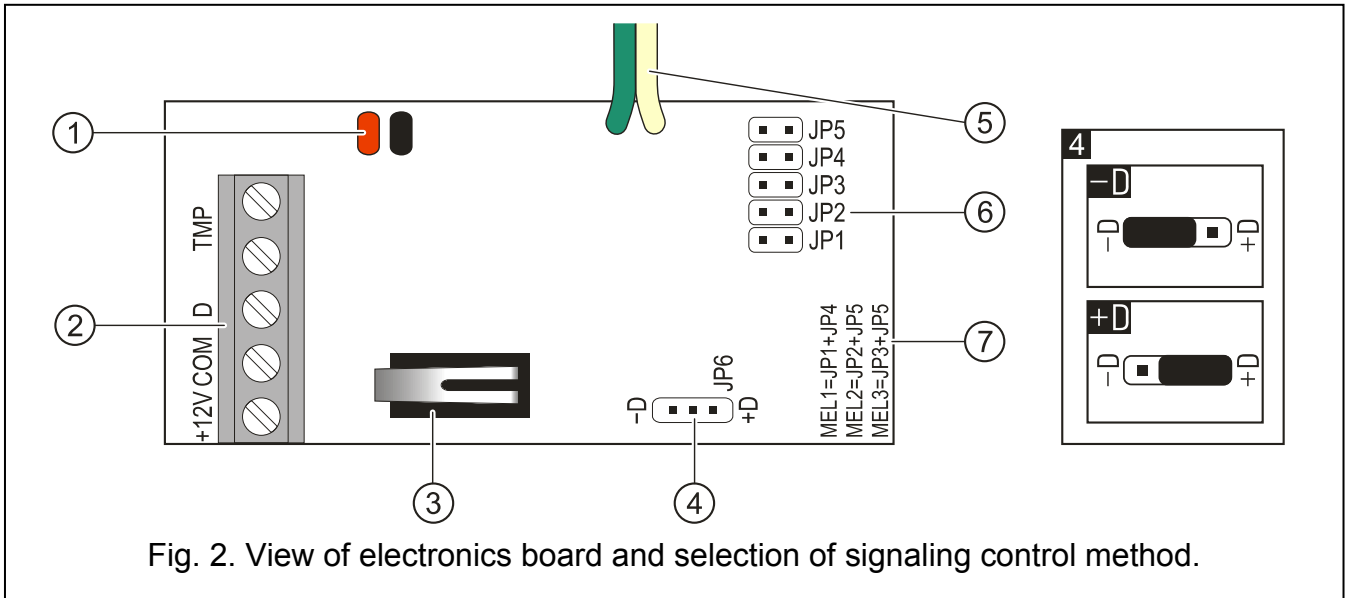


Fig. 2. View of electronics board and selection of signaling control method.

Explanations for Fig. 2:

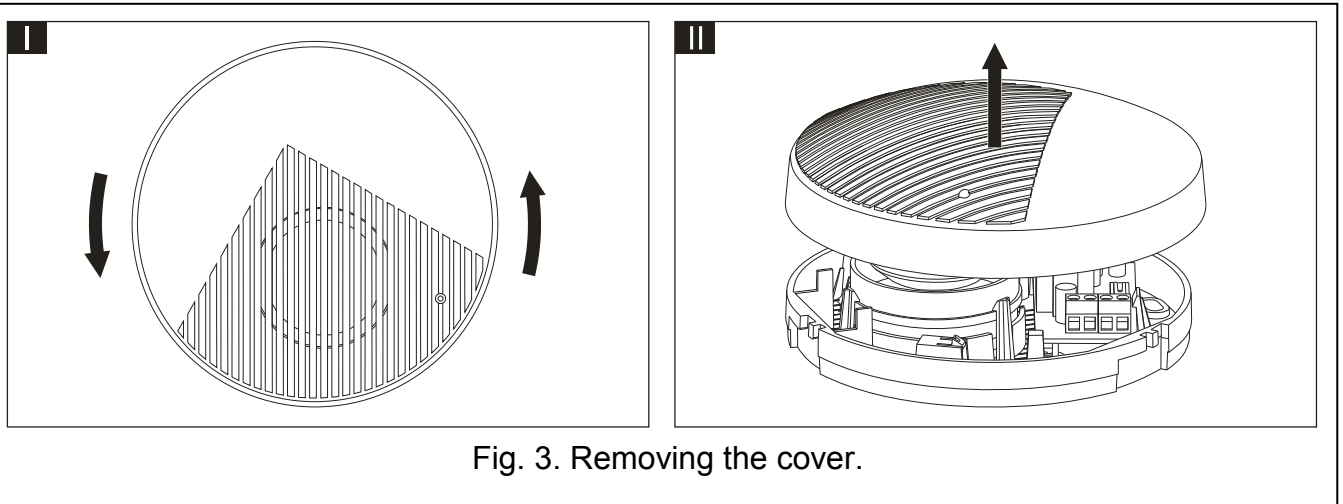
- 1 - battery wires.
- 2 - terminals:
  - +12V** - power supply input.
  - COM** - common ground.
  - D** - control input.
  - TMP** - tamper output (NC).
- 3 - tamper contact, which opens when the cover is removed.
- 4 - pins for selecting the way of sound signal triggering:
  - D** - by removing common ground (common ground control);
  - +D** - by removing +12 V voltage (+12 V DC  $\pm 15\%$  voltage control).
- 5 - wires to piezoelectric transducer.
- 6 - pins for tone selection.
- 7 - description of setting jumpers for respective tone.

## 3. Description of Operation

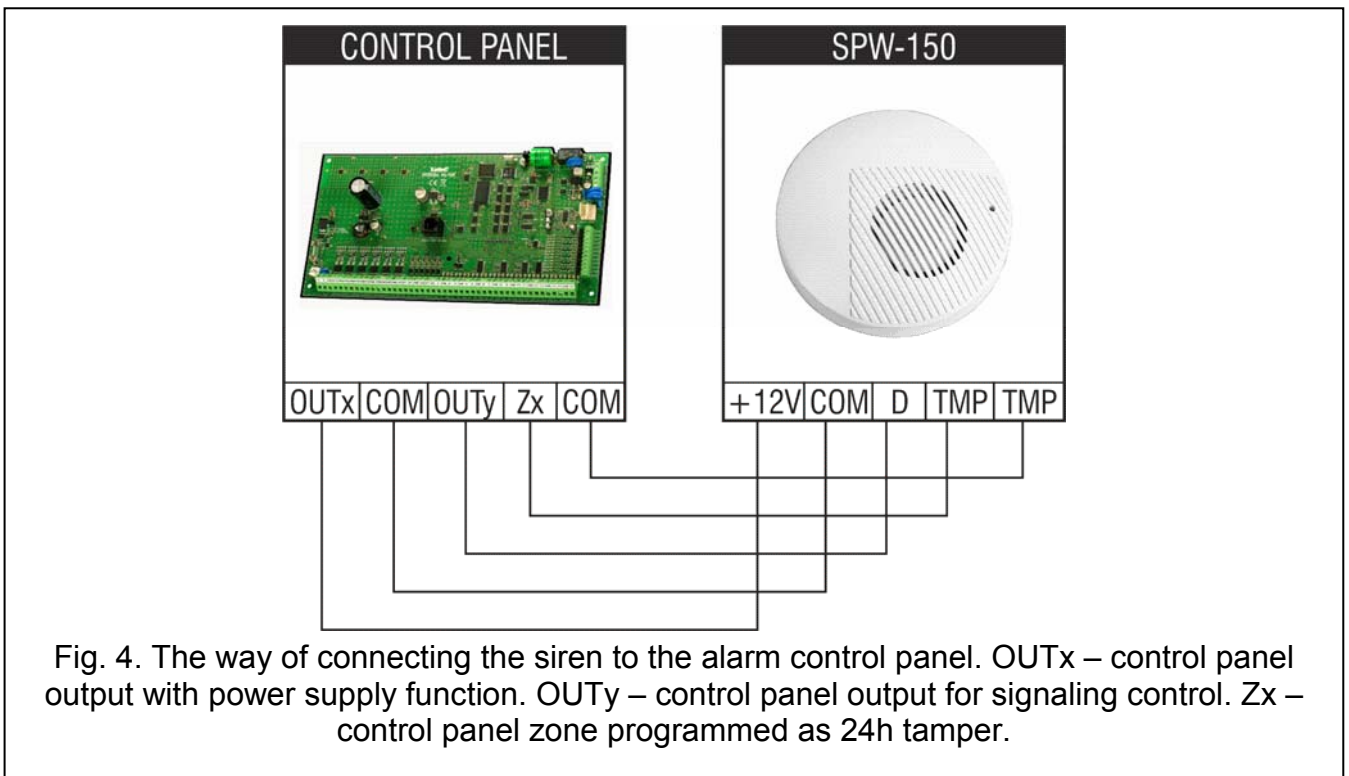
The indoor siren requires power supply from a 12 V  $\pm 15\%$  DC voltage source. The acoustic alarm will be triggered on loss of the control signal fed to the terminal D (depending on the configuration: common ground or +12 V DC voltage) and continues until the signal is restored. Additionally, the signaling will be set off if the cables are disconnected (external power supply is lost). In this case the alarm will continue until the battery is discharged or external power supply is restored.

In case of the alarm control panels manufactured by SATEL, it is recommended that the low-current reversed polarity output be used for control (the jumper in siren set to -D position).

## 4. Installation and Hook-up



- The siren may only be used indoor.
- The siren should be installed on a flat surface by means of wall plugs (screw anchors) and screws.
- Power down the control panel before connecting the siren to it.
- Install the battery inside the siren only after all installation work is completed and the alarm system power supply turned on. If the battery is installed before the external power supply is turned on, alarm will be triggered.



**Note:** Reversed polarity must be programmed for SPW-150 siren control outputs in the SATEL made control panels.

## 5. Specifications

---

Supply voltage .....	12 V DC $\pm$ 15%
Standby current consumption .....	10 $\mu$ A
Maximum current consumption .....	330 mA
Sound pressure level (at 1 m distance).....	up to 120 dB
Backup battery .....	battery 6LR61 9 V
Standards complied with .....	EN50130-4, EN50130-5
Environmental class according to EN50130-5 .....	II
Operating temperature range .....	-10...+55°C
Maximum humidity .....	93 $\pm$ 3%
Dimensions .....	130 x 130 x 40 mm
Weight.....	162 g

**The declaration of conformity may be consulted at [www.satel.eu/ce](http://www.satel.eu/ce)**



**Always use the 6LR61 9 V batteries. The battery is not included with the siren and must be purchased separately.**

**Service representative should periodically check the battery status within the scope of maintenance work.**

**Be particularly careful when replacing the battery. If inappropriately done, replacement of the battery may lead to a risk of explosion. The Manufacturer bears no responsibility for any consequences of incorrect replacement of the battery.**

**The used batteries must not be discarded, but should be disposed of in accordance with the existing rules for environment protection.**