

Alarm Control Panels

INTEGRA PLUS

Firmware version 1.19

Satel[®] 

INSTALLER MANUAL



SATEL sp. z o.o.
ul. Budowlanych 66
80-298 Gdańsk
POLAND
tel. + 48 58 320 94 00
www.satel.eu

WARNINGS

The security alarm system should be installed by qualified personnel.

Prior to installation, please read carefully this manual in order to avoid mistakes that can lead to malfunction or even damage to the equipment.

Disconnect power before making any electrical connections.

Changes, modifications or repairs not authorized by the manufacturer shall void your rights under the warranty.

SATEL aims to continually improve the quality of its products, which may result in changes in their technical specifications and software. Current information about the changes being introduced is available on our website.

Please visit us:
<http://www.satel.eu>

The declaration of conformity may be consulted at www.satel.eu/ce

The following symbols may be used in this manual:



- note;



- caution.

Changes made to the firmware version 1.19

Expansion modules	Support for new modules: ACU-220 and ACU-280 (ABAX 2 wireless system controllers).
Wireless devices	Support for ABAX 2 wireless devices.
Zones	REPORTING DELAY option available for the 8. EXTERIOR zone type.
Outputs	New ON/OFF option (for the 24. MONO SWITCH type outputs). Mode of operation of the 120. THERMOSTAT type outputs has been modified.

CONTENTS

1. General.....	3
2. Features.....	3
3. Keypads.....	6
3.1 Features of keypads with mechanical keys	6
4. Expansion modules.....	7
4.1 Modules to be connected to the keypad bus	7
4.2 Modules to be connected to the expander bus	7
5. System installation.....	9
5.1 Installation plan.....	9
5.2 Estimation of the system current consumption	10
5.3 Cabling	10
5.4 Installation of control panel mainboard	10
5.4.1 Description of the mainboard.....	11
5.5 Connecting devices to the keypad bus	13
5.5.1 Addressing devices connected to the keypad bus.....	14
5.5.2 Numeration of keypad zones.....	15
5.5.3 Connecting computer to the keypad RS-232 port.....	16
5.6 Connecting devices to the expander bus.....	16
5.6.1 Connecting the INT-VG or INT-AV module or CA-64 SM expander	18
5.6.2 Addressing devices connected to the expander bus	18
5.7 Connecting the detectors.....	18
5.7.1 End-of-line resistors.....	19
5.8 Connecting the sirens	19
5.9 Connecting the telephone line	20
5.10 Connecting power supply	21
5.10.1 Main power supply.....	21
5.10.2 Backup power supply	22
5.10.3 Control panel power-up / start-up procedure	22
5.11 First start-up of the control panel	22
5.12 Emergency procedure of the control panel start-up	23
5.13 Connecting computer to the control panel	24
5.14 Connecting the external modem.....	24
5.14.1 Configuring settings of the modem to be connected to control panel	26
5.15 Connecting the printer	27
6. Numeration of zones and outputs in the system	28
7. Replacing the battery on control panel mainboard.....	29
8. Specifications.....	30
8.1 Control panel	30
8.2 INT-KLCD keypad.....	31
8.3 INT-KLCDR keypad	31
8.4 INT-KLCDL keypad.....	31
8.5 INT-KLCDS keypad	31
8.6 INT-KLCDK keypad	32
8.7 INT-KLFR keypad.....	32
9. Manual update history.....	32

1. General

This manual applies to the control panels of the INTEGRA Plus series:

- INTEGRA 64 Plus
- INTEGRA 128 Plus
- INTEGRA 256 Plus

The manual also describes keypads compatible with the INTEGRA Plus control panels and other devices that may be included in the security alarm system.

The INTEGRA Plus control panels meet the requirements of the following standards:

- EN 50131-1 Grade 3,
- EN 50131-3 Grade 3,
- EN 50131-6 Grade 3,
- EN 50130-4,
- EN 50130-5 Class II.

2. Features

System structure

- 32 partitions.
- 8 objects (subsystems).

Zones

- 16 programmable hardwired zones on the control panel mainboard:
 - support for NO and NC type detectors, as well as roller shutter and vibration detectors,
 - support for Single EOL, Double EOL and Triple EOL configuration,
 - programmable value of end-of-line resistors,
 - several dozen zone types.
- Maximum number of programmable zones:
 - up to 64 (INTEGRA 64 Plus),
 - up to 128 (INTEGRA 128 Plus),
 - up to 256 (INTEGRA 256 Plus).

Outputs

- 16 programmable hardwired outputs on the control panel mainboard:
 - 4 high-current outputs,
 - 12 low-current outputs, OC type,
 - over 100 functions,
 - execution of custom control functions due to the possibility of programming complex logic operations on the outputs.
- Maximum number of programmable outputs:
 - up to 64 (INTEGRA 64 Plus),
 - up to 128 (INTEGRA 128 Plus),
 - up to 256 (INTEGRA 256 Plus).
- 3 high-current outputs on the control panel mainboard with power supply output functionality.

Communication buses

- Keypad bus for connecting up to 8 devices.
- Two expander buses for connecting up to 64 devices (32 devices to each bus).

Communication

- Telephone dialer (communicator) to allow:
 - events reporting,
 - event messaging,
 - checking the alarm system status by telephone (DTMF),
 - remote control of the alarm system outputs by telephone (DTMF).
- Built-in 300 bps modem to allow remote operation and programming of the alarm system.

Reporting

- Reporting events to two monitoring stations:
 - several communication formats (including Contact ID and SIA),
 - 4 telephone numbers (2 main + 2 backup ones),
 - 9 identifiers.
- Alternative ways to report events available after additional modules are connected:
 - Ethernet (TCP or UDP),
 - GPRS (TCP or UDP),
 - GSM voice channel,
 - SMS.

Messaging

- Event messaging in the form of:
 - voice messages played back by an additional module (INT-VG, CA-64 SM or SM-2),
 - text messages defined by the installer.
- Other messaging forms available if additional modules are connected:
 - e-mail messages with content related to the event description in event log (after connecting the ETHM-1 Plus module or installing the INT-GSM module in the alarm system),
 - SMS messages with content related to the event description in the event log (after installing the INT-GSM module in the alarm system or connecting the SATEL GSM module to the alarm control panel).

Event log

- 5631 (INTEGRA 64 Plus), 22527 (INTEGRA 128 Plus) or 24575 (INTEGRA 256 Plus) events.
- A separate memory space to store events required by the EN 50131 standard for Grade 3.
- Event log printing capability.

Users

- 8 master users (administrators).
- 192 (INTEGRA 64 Plus) or 240 (INTEGRA 128 Plus and INTEGRA 256 Plus) users.
- Capability to assign to the user:
 - a code,
 - a proximity card (125 kHz passive transponder, which may be in the form of a card, tag, etc.),

- DALLAS iButton (chip),
- keyfob.
- Several user types.
- Authority level determining the scope of access to the system.

Additional features

- Access control functions realized by means of additional modules.
- 64 system timers programmed by the installer to automatically:
 - arm/disarm the partitions,
 - control the outputs (switching the lights on/off, watering the garden, etc.).
- Partition timers, programmed by the installer or the users (1 for each partition), to allow automatic arming/disarming.

Programming

- Local programming:
 - keypad,
 - computer with the DLOADX program installed, connected to the control panel RS-232 or USB port.
- Remote programming by using a computer with the DLOADX program installed via:
 - telephone network (modem),
 - Ethernet (optionally, if the ETHM-1 / ETHM-1 Plus module is connected),
 - GPRS (optionally, if the INT-GSM module is installed in the system or the SATEL GSM module is connected).
- Remote programming from a web browser (optionally, after connecting the ETHM-1 / ETHM-1 Plus module).
- Remote programming from a mobile application (optionally, after connecting the ETHM-1 / ETHM-1 Plus module or installing the INT-GSM module in the system).

Mainboard

- RS-232 port (RJ type socket) to allow:
 - a computer to be connected for programming (DLOADX program), managing the system (GUARDX program) or update of the control panel firmware,
 - connecting to the RS-232 port of the ETHM-1 Plus / ETHM-1 / INT-GSM module (required for remote programming via these modules),
 - support for external analog, GSM or ISDN modem,
 - serial printer connection (for printing current events).
- USB MINI-B socket to allow a computer to be connected for programming (DLOADX program), managing the system (GUARDX program) or update of the control panel firmware.
- Capability of the firmware updating without the need for disassembly of the control panel.
- 2 sockets for connecting the INT-VG voice module, CA-64 SM voice synthesizers expander or SM-2 synthesizer.
- Real time clock with calendar and battery backup.
- LEDs indicating the status of outputs, battery charging system and telephone dialer.
- Electrical protection of all hardwired zones and outputs, and communication buses.
- Built-in advanced switching power supply with separate circuits for charging the battery and powering other devices.

3. Keypads

The INTEGRA Plus control panels support the following keypads:

INT-TSG – touchscreen keypad,

INT-TSH – touchscreen keypad,

INT-TSI – touchscreen keypad,

INT-KSG – LCD keypad with touch keys,

INT-KLCD – LCD keypad with mechanical keys,

INT-KLCDR – LCD keypad with mechanical keys and built-in proximity card reader,

INT-KLCDK – LCD keypad with mechanical keys,

INT-KLCDL – LCD keypad with mechanical keys,

INT-KLCDS – LCD keypad with mechanical keys,

INT-KLFR – LCD keypad with mechanical keys and built-in proximity card reader.

INT-KWRL – wireless LCD keypad with mechanical keys and built-in proximity card reader (connection of the ACU-120 / ACU-270 controller required).

INT-KWRL2 – wireless LCD keypad with mechanical keys and built-in proximity card reader (connection of the ACU-220 / ACU-280 / ACU-120 / ACU-270 controller required).



The recommended version of the keypad firmware (provides functionality consistent with the requirements of EN 50131 for Grade 3):

- INT-KLCD / INT-KLCDR – 1.12 (or later),
- INT-KLCDK / INT-KLCDL / INT-KLCDS – 6.12 (or later),
- INT-KSG – 1.02 (or later).

The INTEGRA 256 Plus control panel supports the INT-KSG keypads with firmware version 2.00 or newer (the INT-KSG keypads with older firmware versions will not be identified).

The keypads are available in a variety of color options for the enclosure, display and key backlight. The color variant is indicated by the additional designation in the keypad name (e.g. INT-KLCD-GR – green display and key backlight; INT-KLCD-BL – blue display and key backlight).



For information on INT-KSG, INT-KWRL, INT-KWRL2, INT-TSG, INT-TSH and INT-TSI keypads, please refer to the manuals delivered with respective keypads.

3.1 Features of keypads with mechanical keys

- Display 2 x 16 characters with backlight.
- LEDs indicating the status of the partitions and the system.
- Backlit keys.
- Built-in sounder.
- 2 programmable hardwired zones:
 - support for NO and NC detectors,
 - support for Single EOL and Double EOL configuration.
- Tamper protection in 2 ways – cover removal and tearing enclosure from the wall.
- RS-232 port (PIN-5 socket) for administration of the security alarm system by means of a computer with the GUARDX program installed.

4. Expansion modules

The expansion modules allow you to not only increase the number of available zones and outputs (wired and wireless), but also enhance the system with additional functionality.



Not all of the following modules meet the requirements of EN 50131 for Grade 3.

4.1 Modules to be connected to the keypad bus

CA-64 PTSA. Mimic board. Enables visualization of the status of the alarm system partitions and zones. The control panels support the mimic boards with electronics version 1.4 (or later) and firmware version 4.0 (or later).

ETHM-1 Plus / ETHM-1. Ethernet communication module. Enables reporting events as well as operating and programming the control panel via the Ethernet network. The recommended module version: 1.06 (or later).

INT-GSM. GPRS communication module. Enables reporting events as well as operating and programming the alarm control panel via GPRS.



The INT-GSM module can be connected to the keypad bus of the control panel or to the RS-485 bus of the ETHM-1 Plus module. If the ETHM-1 Plus module is connected to the control panel keypad bus, it is recommended that the INT-GSM module be connected to the RS-485 bus of the ETHM-1 Plus module.

INT-RS / INT-RS Plus. Interface for systems integration. Makes it possible to connect the computer with the GUARDX program installed in the same way as to the LCD keypad, report events through a special external device, or operate the control panel using software other than that offered by SATEL.



Only INT-RS Plus interface is compatible with INTEGRA 256 Plus control panel.

4.2 Modules to be connected to the expander bus

INT-RX / INT-RX-S. 433 MHz keyfobs receiver expansion module. Enables operation of the alarm system using the 433 MHz keyfobs.

INT-CR. Proximity card arm/disarm device. Enables arming / disarming and alarm clearing in many partitions by means of proximity cards, proximity tags and other passive transponders.

INT-S / INT-SF / INT-SK. Partition keypad. Enables arming / disarming and alarm clearing in one partition. Can perform access control functions.

INT-SCR. Multifunctional keypad. It can work as:

INT-S. Partition keypad.

INT-SCR. Partition keypad with reader. Functionality similar to that of the partition keypad.

INT-ENT. Entry keypad. The main task of the entry keypad is activation the delay for 3 INTERIOR DELAYED type zones. After expiry of the time period preset on the keypad, unless the system is disarmed, the interior delayed zones will again act as instant ones.

INT-SZ / INT-SZK. Code lock. Enables performance of the access control functions.

INT-R. Universal expander for card / chip readers. Supports the proximity card readers manufactured by SATEL, readers with WIEGAND 26 interface or DALLAS chip readers. Enables performance of the access control functions.

INT-E / CA-64 E / CA-64 EPS. Zone expander. Adds 8 programmable hardwired zones to the security system.

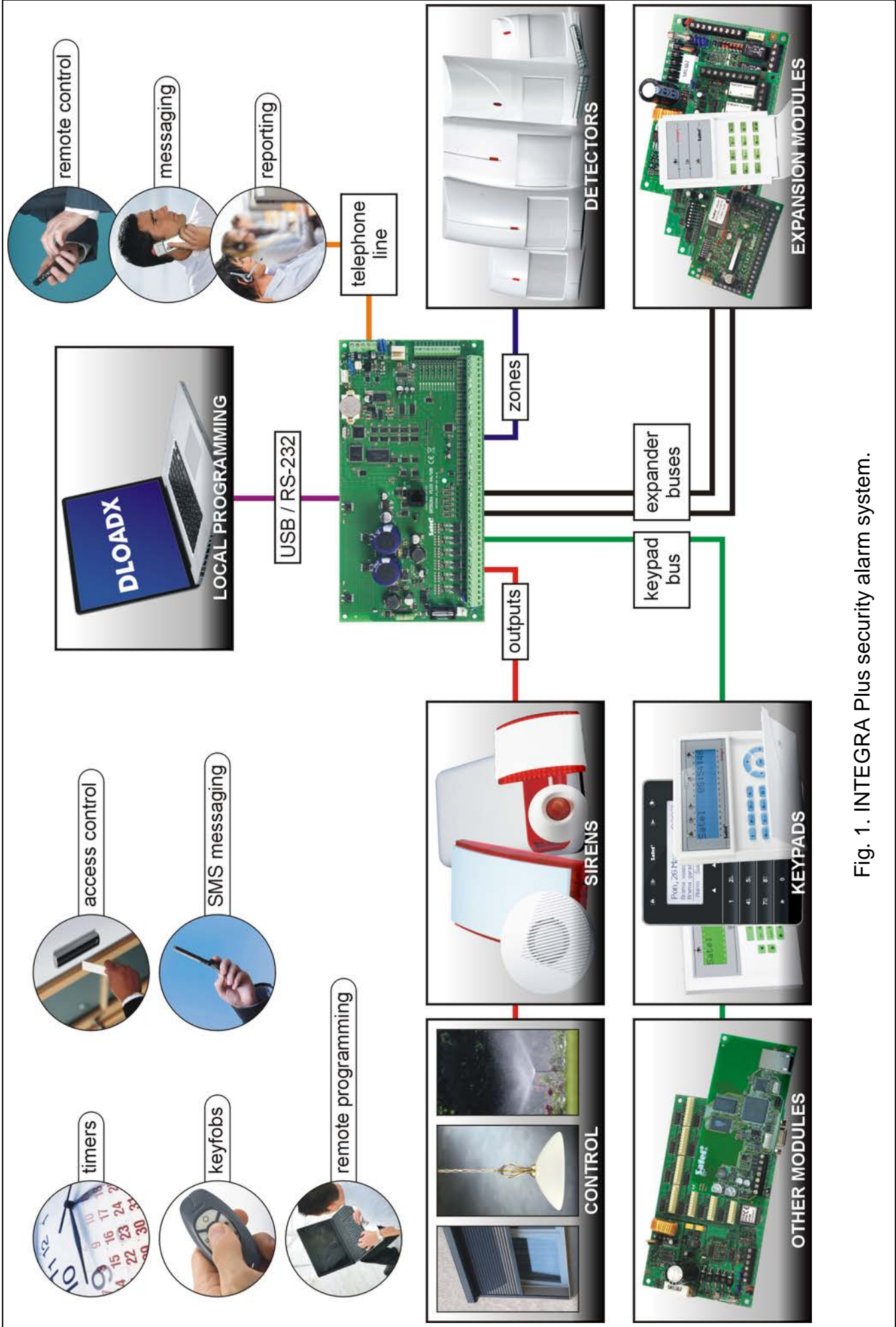


Fig. 1. INTEGRA Plus security alarm system.

INT-ADR / CA-64 ADR. Addressable zone expander. Adds 48 addressable zones to the security system. Control panels support the addressable zone expanders with firmware version 1.5 (or later).

INT-O / INT-ORS / CA-64 O / CA-64 OPS. Output expander. Adds 8 programmable hardwired outputs to the security system.

INT-PP / INT-IORS / CA-64 PP. Zone/output expander. Adds 8 programmable hardwired zones and 8 programmable hardwired outputs to the security system.

ACU-220 / ACU-280. ABAX 2 wireless system controller. Enables the alarm system to be operated using the ABAX 2 keyfobs and the ABAX 2 bidirectional wireless devices to be used in the alarm system.

ACU-120 / ACU-270 / ACU-100 / ACU-250. ABAX wireless system controller. Enables the alarm system to be operated using the ABAX 2 / ABAX keyfobs and the ABAX 2 / ABAX bidirectional wireless devices to be used in the alarm system.

INT-VG. Voice module. Allows remote operation of the control panel from the telephone keypad (interactive voice menu). It can store 16 voice messages for telephone messaging.

INT-VMG. Voice message generator. Plays back prerecorded messages when specified events occur in the system.

INT-AV. Audio alarm verification module. Enables remote audio alarm verification to eliminate false alarms.

INT-KNX / INT-KNX-2. KNX integration module. Enables interfacing of the control panel with the KNX system.

5. System installation



Disconnect power before making any electrical connections.

The following tools will be useful during installation:

- blade screwdriver 2.5 mm,
- Phillips screwdriver,
- precision pliers,
- flat nose pliers,
- driller c/w a set of drill bits.

5.1 Installation plan

The installation must be preceded by preparation of a plan of the security alarm system. It is advisable to draw up a sketch of the premises and mark on it all the devices that are to be included in the alarm system: control panel, keypads, detectors, sirens, expansion modules etc. The control panel and other alarm system components should be installed within the protected area.



When writing data to FLASH memory and when the STARTER program is running (control panel firmware is being updated), the expander outputs are deactivated. The status of the control panel mainboard outputs remains unchanged. Keep that in mind when designing the system. It is recommended that devices whose operation must not be disturbed as a result of writing data to FLASH memory or after launching the STARTER program be connected to the mainboard outputs.

5.2 Estimation of the system current consumption

At the security system planning stage you should sum up the currents consumed by all devices included in the system (control panel mainboard, keypads, additional modules, detectors, sirens, etc.). The calculation should take into account the battery charging current. If the sum of currents exceeds the maximum output current of the control panel power supply, expander with power supply or an additional power supply unit should be used.

The sum of currents consumed by the devices connected to the power supply unit (expander with power supply) must not exceed the power supply output current.

If you plan to connect devices to particular power outputs (of the control panel, expander with power supply, etc.), remember that the sum of currents consumed by these devices must not exceed the maximum current carrying capacity of those outputs.

5.3 Cabling

It is recommended that unscreened straight-through cable be used for making electric connections between devices included in the system (using the twisted-pair type of cable, e.g. UTP, STP, FTP, is not advisable).



If you use the twisted-pair type of cable, remember that the DTM and CKM / DT1 and CK1 / DT2 and CK2 (data and clock) signals must not be sent through one twisted-pair cable.

It is recommended that separate cables be used for keypad bus and expander bus.

Select cross-section of the power supply wires so that the supply voltage drop between the power supply and the supplied device should not exceed 1 V as against the output voltage.

In order to guarantee correct functioning of the system components it is important that resistance and capacitance of the signal wires be as low as possible. When the distances between the devices are greater, several wires connected in parallel may have to be used for each signal, in order to reduce conductor resistance. This, however, may lead in consequence to an increase in conductor capacitance. Too high resistance or capacitance of the cables connecting the control panel to keypads or expansion modules can prevent the devices from working correctly (e.g. the control panel will be unable to identify devices, absence of devices will be reported, etc.). When selecting the length of cables, follow recommendations set out in sections on connection of particular types of devices.

When making the cabling, remember that there must be sufficient distance between the low-voltage wires and the 230 V AC power supply wires. Avoid running the signal cables in parallel to and in close proximity of the 230 V AC supply cables.

5.4 Installation of control panel mainboard



The control panel mainboard contains electronic components sensitive to electric charges.

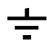
You must complete all wiring, connections and device installations before connecting the battery or applying AC mains to the control panel.

The control panel should be installed indoors, in spaces with normal humidity of air. The control panel must be protected against unauthorized access.

A 230 V AC power supply circuit with protective grounding must be available at the control panel installation place.

5.4.1 Description of the mainboard

Description of terminals:

- AC** - power supply inputs (20 V AC)
- COM** - common ground
- OUT1...OUT4** - programmable high-current outputs (if output is not used, the 2.2 k Ω resistor should be connected between the output and common terminals)
- +KPD** - dedicated power supply output for devices connected to keypad bus (13.6...13.8 V DC)
- DTM** - keypad bus data
- CKM** - keypad bus clock
- +EX1 / +EX2** - dedicated power supply output for devices connected to expander bus (13.6...13.8 V DC)
- DT1 / DT2** - expander bus data
- CK1 / CK2** - expander bus clock
- Z1...Z16** - zones
- OUT5...OUT16** - programmable low-current outputs, OC type
-  - protective terminal of telephone communicator (connect to protective circuit only)
- TIP, RING** - telephone line input (from telephone provider)
- T-1, R-1** - telephone line output (to premise telephones)

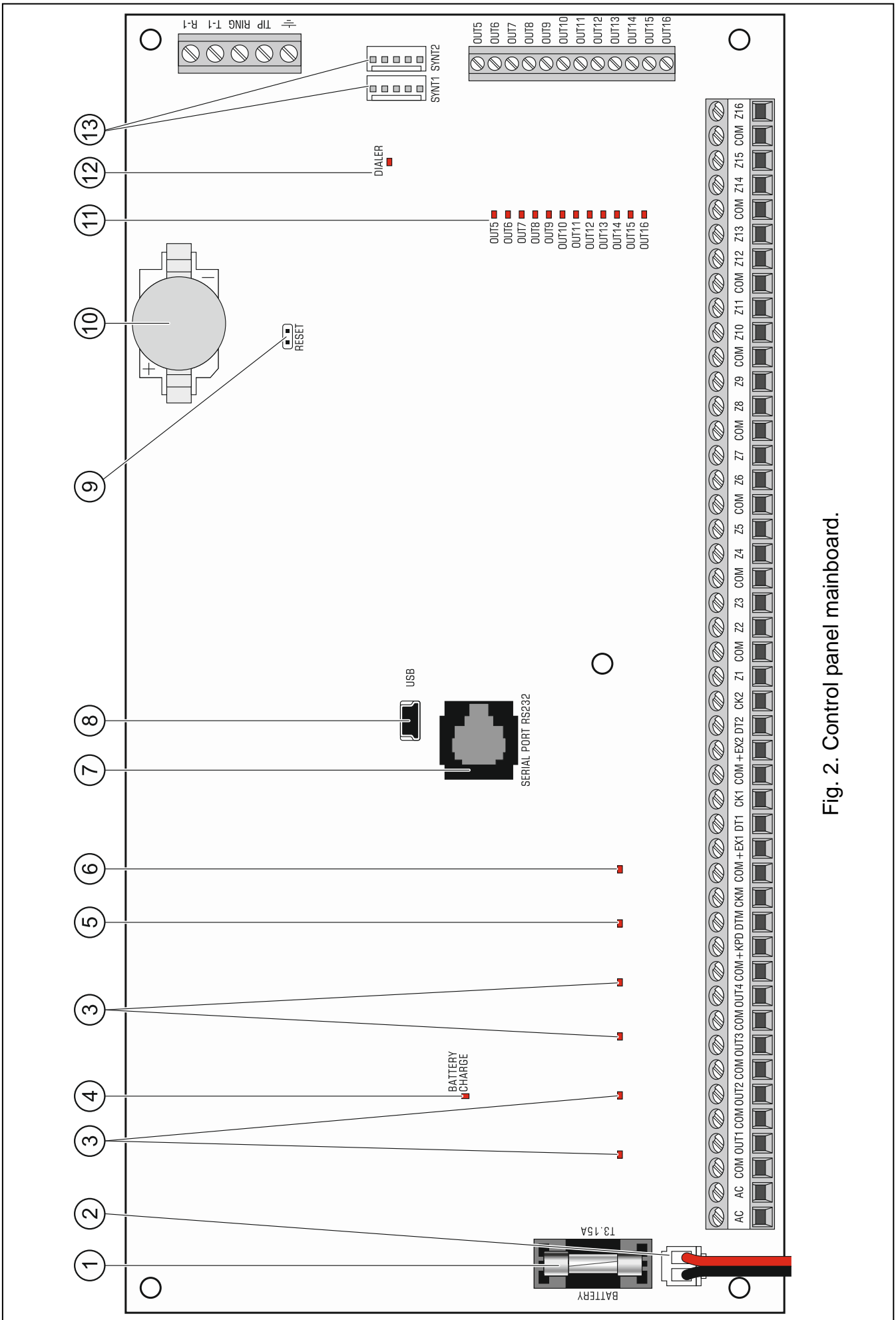



Fig. 2. Control panel mainboard.

Explanations for Fig. 2:

- ① fuse for the battery charging circuit.
 - ② battery connection cables (red +, black -).
 - ③ LEDs indicating the status of high-current outputs.
 - ④ BATTERY CHARGE LED indicator.
 - ⑤ LED indicating the status of + KPD power supply output.
 - ⑥ LED indicating the status of + EX1 and +EX2 power supply outputs.
 - ⑦ RS-232 port (RJ type socket).
 - ⑧ USB MINI-B socket.
 - ⑨ RESET pins for emergency starting the control panel (see: EMERGENCY PROCEDURE OF THE CONTROL PANEL START-UP p. 23).
 - ⑩ lithium battery for clock and RAM backup. Its removal will result in loss of the clock settings and all data stored in RAM.
-  **Insert the battery in its socket just before starting the control panel (but not earlier).**
- After 5 years of operation, check the control panel battery status.**
- ⑪ LEDs indicating the status of low-current outputs.
 - ⑫ DIALER LED indicating the status of control panel dialer.
 - ⑬ sockets for connecting the INT-VG voice module, INT-AV audio alarm verification module, CA-64 SM voice synthesizer expander or SM-2 synthesizer.

5.5 Connecting devices to the keypad bus

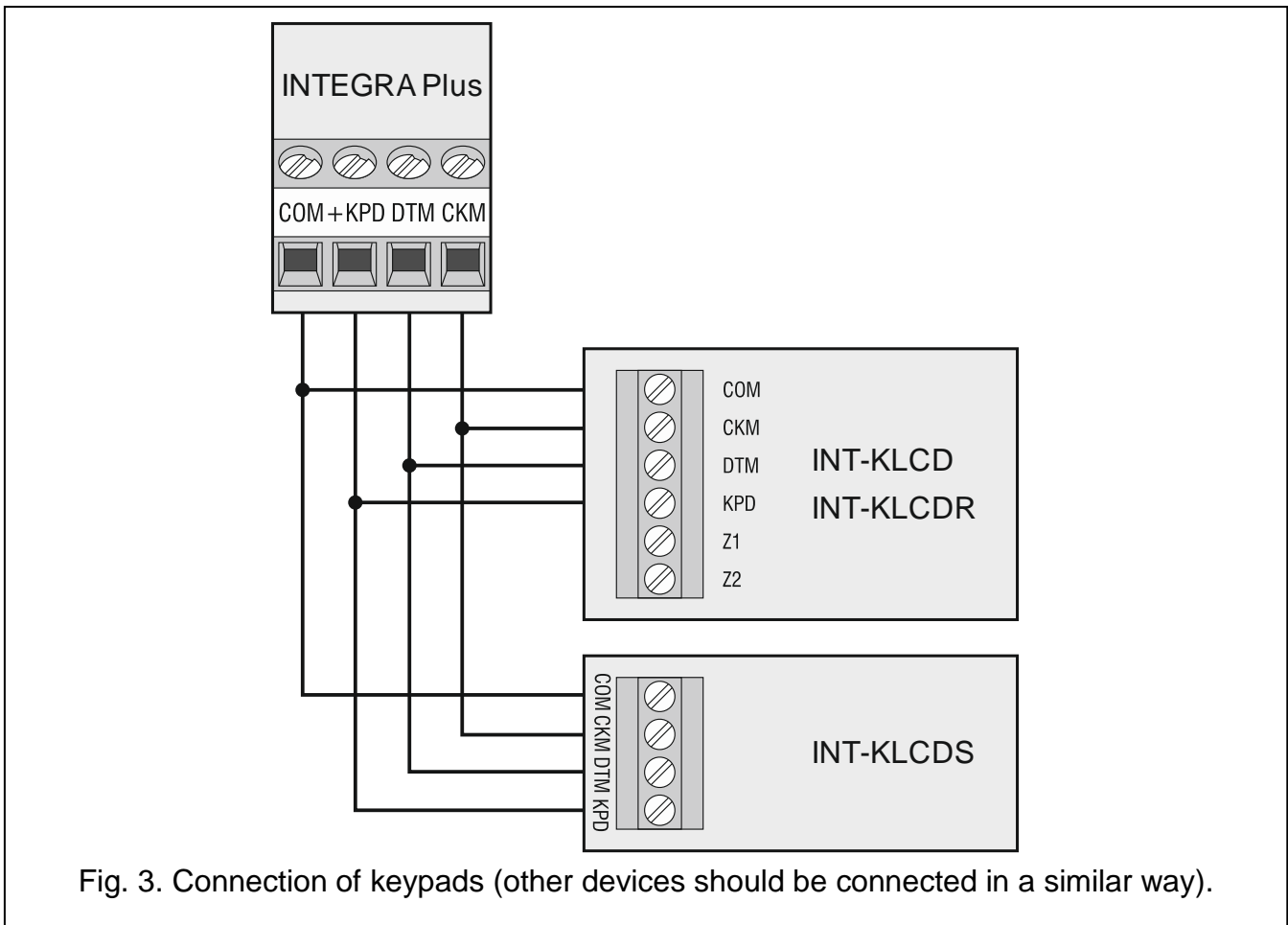


The bus wires must be run in one cable.

*The distance between the keypad (or other device to be connected to keypad bus) and the control panel may be up to **300 m**.*

Devices installed far from the control panel may be supplied locally from a separate power source.

Supply voltage measured at the LCD keypad terminals, with the display and key backlight on, must not be lower than 11 V.



The Table 1 shows the number of wires required for correct connection of the device to the keypad bus if conductors with 0.5 mm diameter are used.

Distance	+KPD	COM	CKM	DTM
	Number of wires			
up to 100 m	1	1	1	1
100-200 m	2	2	1	1
200-300 m	4	4	2	2

Table 1.

5.5.1 Addressing devices connected to the keypad bus

Each device to be connected to the keypad bus must have its own individual address from the 0 to 7 range. Addresses must not repeat (the control panel does not support devices having identical addresses). It is recommended that consecutive addresses be assigned starting from 0.

In keypads, the address is set by software means. By default, address 0 is set. When started with factory default settings, the control panel will support all keypads connected to the bus, irrespective of what addresses are set in them. Thus it is possible to set correct individual addresses in the keypads and perform identification of all devices connected to the bus.

In other devices to be connected to the keypad bus, the address is to be set using the DIP-switches or the pins.

Programming keypad address by means of the service function

1. Enter the **service code** (by default 12345) and press the ***** key.
2. Using the **▲** or **▼** keys, find the SERVICE MODE item in the function list and press the **#** or **▶** key.
3. Start the KEYPADS ADDR. function (**▶**STRUCTURE **▶**HARDWARE **▶**IDENTIFICATION **▶**KEYPADS ADDR.).
4. The message shown in Fig. 4 will appear on display of all keypads connected to the control panel.

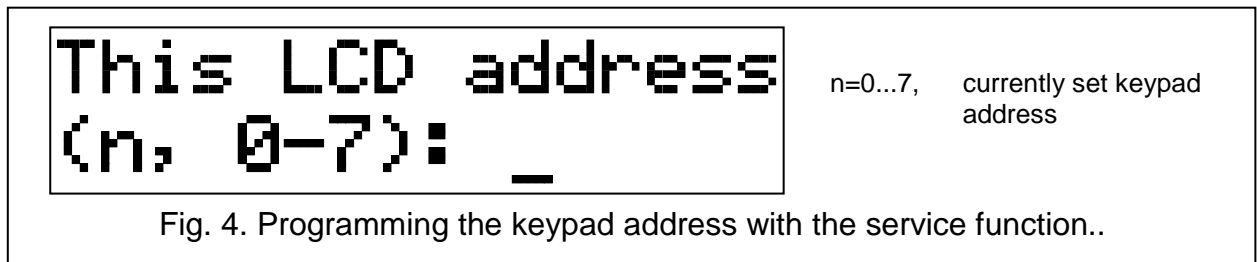


Fig. 4. Programming the keypad address with the service function..

5. Enter a proper address from the 0-7 range in the selected keypad(s). The address change will be confirmed by four short beeps followed by one long beep.
6. To terminate the address change function, press the ***** key. The function will be terminated automatically after 2 minutes from being started. Termination of the function is equivalent to restarting the keypad (the service mode menu will be displayed on the keypad with the lowest address).

Programming keypad address without entering the service mode

This method of address programming is particularly useful when – due to repeating addresses – the keypad support has been disabled and entering the service mode is impossible.

1. Disconnect the keypad power supply (KPD) and the CKM and DTM signal wires.
2. Short-circuit the keypad CKM and DTM terminals.
3. Switch on keypad power supply.
4. A message indicating the current address will appear on the display.
5. Enter a new address. The keypad will confirm execution of the function by four short beeps followed by one long beep. If it is necessary to change the entered address, press the ***** key (keypad restart will follow and a corresponding message will appear on the display).
6. Disconnect the keypad power supply.
7. Open the keypad CKM and DTM terminals.
8. Connect the keypad correctly to the control panel.

5.5.2 Numeration of keypad zones

The address set in the keypad defines which numbers in the system will be assigned to the keypad zones (see Table 2). You can define for each keypad whether or not its zones will be used in the system. If the zone numbers of keypad and expander coincide, the keypad zones have priority (in such a case, the corresponding expander zones will not be supported).

Keypad address	Zone number in the system					
	INTEGRA 64 Plus		INTEGRA 128 Plus		INTEGRA 256 Plus	
	Z1	Z2	Z1	Z2	Z1	Z2
0	49	50	113	114	241	242
1	51	52	115	116	243	244
2	53	54	117	118	245	246
3	55	56	119	120	247	248
4	57	58	121	122	249	250
5	59	60	123	124	251	252
6	61	62	125	126	253	254
7	63	64	127	128	255	256

Table 2.

5.5.3 Connecting computer to the keypad RS-232 port

In some keypads, the RS-232 port makes it possible to connect a computer with the GUARDX program installed (see Fig. 5). It is recommended that the straight-through unscreened cable be used for making the connection (using the twisted-pair type of cable, e.g. UTP, STP, FTP, is not advisable). The distance between computer and keypad can be up to **10 m**.

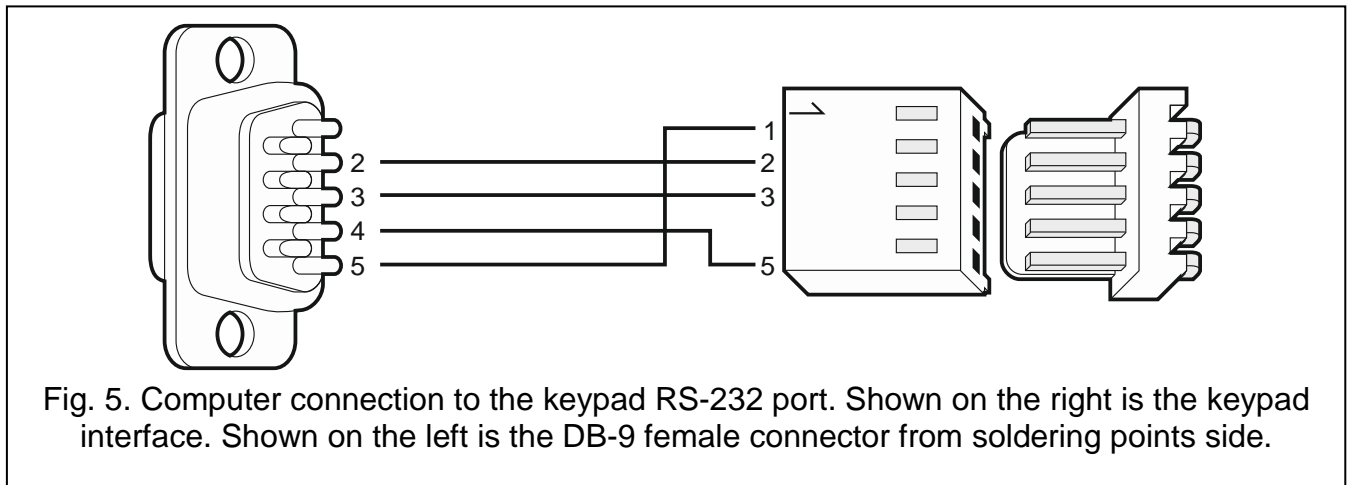


Fig. 5. Computer connection to the keypad RS-232 port. Shown on the right is the keypad interface. Shown on the left is the DB-9 female connector from soldering points side.



Activate the *COMMUNICATION RS* option in keypads to which the computer with GUARDX program is connected. Data exchange with the computer will begin automatically as soon as the GUARDX program is started.

5.6 Connecting devices to the expander bus



The bus wires must be run in one cable.

The total length of the expander bus may not exceed **1000 m**.

The module may be powered directly from the control panel if the distance between control panel and module does not exceed 300 m. Where the distance is greater, another source of power must be provided for the module (a power supply unit or an expander with power supply).

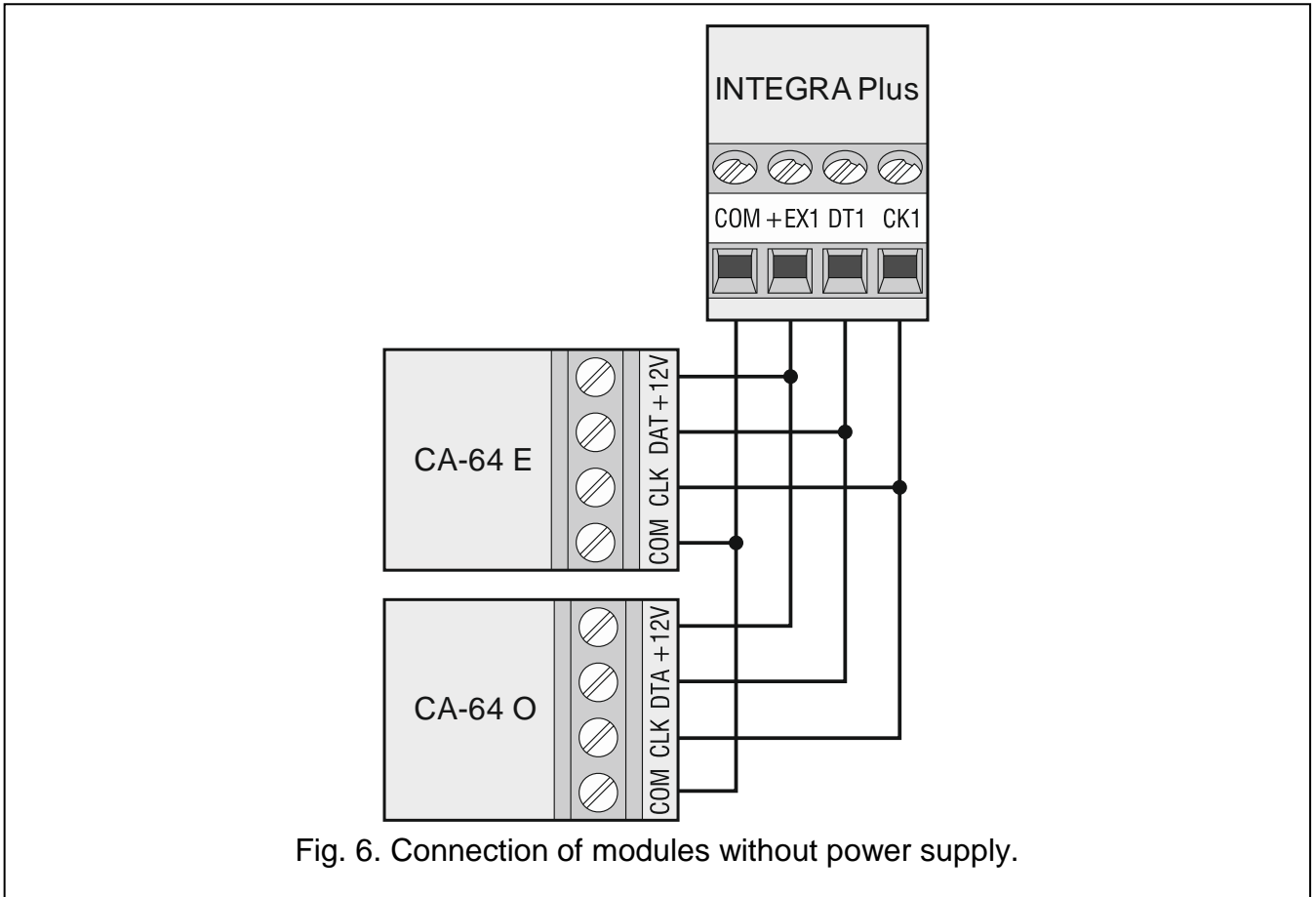


Fig. 6. Connection of modules without power supply.

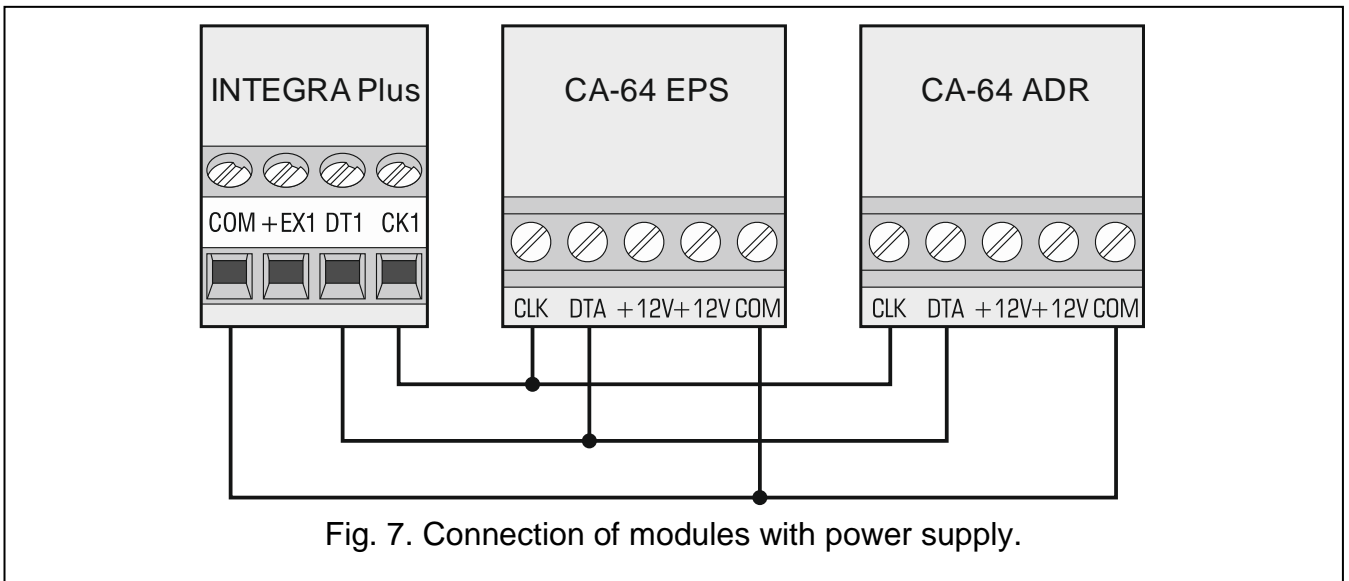


Fig. 7. Connection of modules with power supply.

The Table 3 shows the number of wires required for correct connection of the device to the expander bus if conductors with 0.5 mm diameter are used.

Distance	CK1 / CK2	DT1 / DT2	COM
	Number of wires		
up to 300 m	1	1	1
300 – 600 m	2	2	2
600 – 1000 m	2	2	4

Table 3.

5.6.1 Connecting the INT-VG or INT-AV module or CA-64 SM expander

When connecting the INT-VG voice module, INT-AV audio alarm verification module or the CA-64 SM voice synthesizer expander, the CLK and DTA wires only are to be connected to the bus. Each of these devices is additionally provided with the PIN5 connector, which should be inserted into the control panel onboard socket designated as SYNT1 or SYNT2.



Only one INT-VG module or CA-64 SM expander can be connected to the INTEGRA 64 Plus control panel, because it allows not more than 16 voice messages to be played back.

5.6.2 Addressing devices connected to the expander bus

Each device to be connected to the expander bus must have its own individual address from the 0 to 31 range. The addresses of devices connected to the same bus must not repeat (the control panel does not support devices having identical addresses). It is recommended that consecutive addresses be assigned starting from 0. In most devices, the address is set by means of DIP-switches.



If the device is connected to the second bus, its address in the system can be determined by adding the number 32 to the address set in it.

The address affects numeration of zones and outputs in the system (see section NUMERATION OF ZONES AND OUTPUTS IN THE SYSTEM p. 28).

5.7 Connecting the detectors

How the detector is connected to the zone must be suitable for the configuration chosen for that zone. The zones on the control panel mainboard support the following configurations:

NC – the wiring type dedicated to connecting devices with the NC (normally closed) alarm output. Opening the circuit will trigger an alarm.

NO – the wiring type dedicated to connecting devices with the NO (normally open) alarm output. Closing the circuit will trigger an alarm.

EOL – this wiring type may be used to connect devices having the NC or NO alarm output. Closing or opening the circuit will trigger an alarm.

2EOL/NC – the wiring type recommended to connect detectors having the NC alarm output and a tamper output. The zone can recognize 3 states: normal, alarm and tamper.

2EOL/NO – the wiring type similar as 2EOL/NC, but for detectors with the NO alarm output.

Roller – the wiring type dedicated to connecting roller shutter detectors.

Vibration – the wiring type dedicated to connecting vibration detectors. The zone will also accept connection of a detector with the NC alarm output (e.g. a vibration detector and a magnetic contact can be connected in series).

Follow output – in case of this configuration the detector should not be connected. The zone status depends only on that of the selected output (the output is not to be physically connected to the zone).

Roller 2EOL – the wiring type similar as 2EOL/NC, but for the roller shutter detectors.

Vibration 2EOL – the wiring type similar as 2EOL/NC, but for the vibration detectors.

3EOL/NC – the wiring type recommended for connecting detectors with the NC alarm output, tamper output and anti-masking output. The zone can recognize 4 states: normal, alarm, tamper and masking of detector.

3EOL/NO – the wiring type similar as 3EOL/NC, but for the detectors with the NO alarm output.

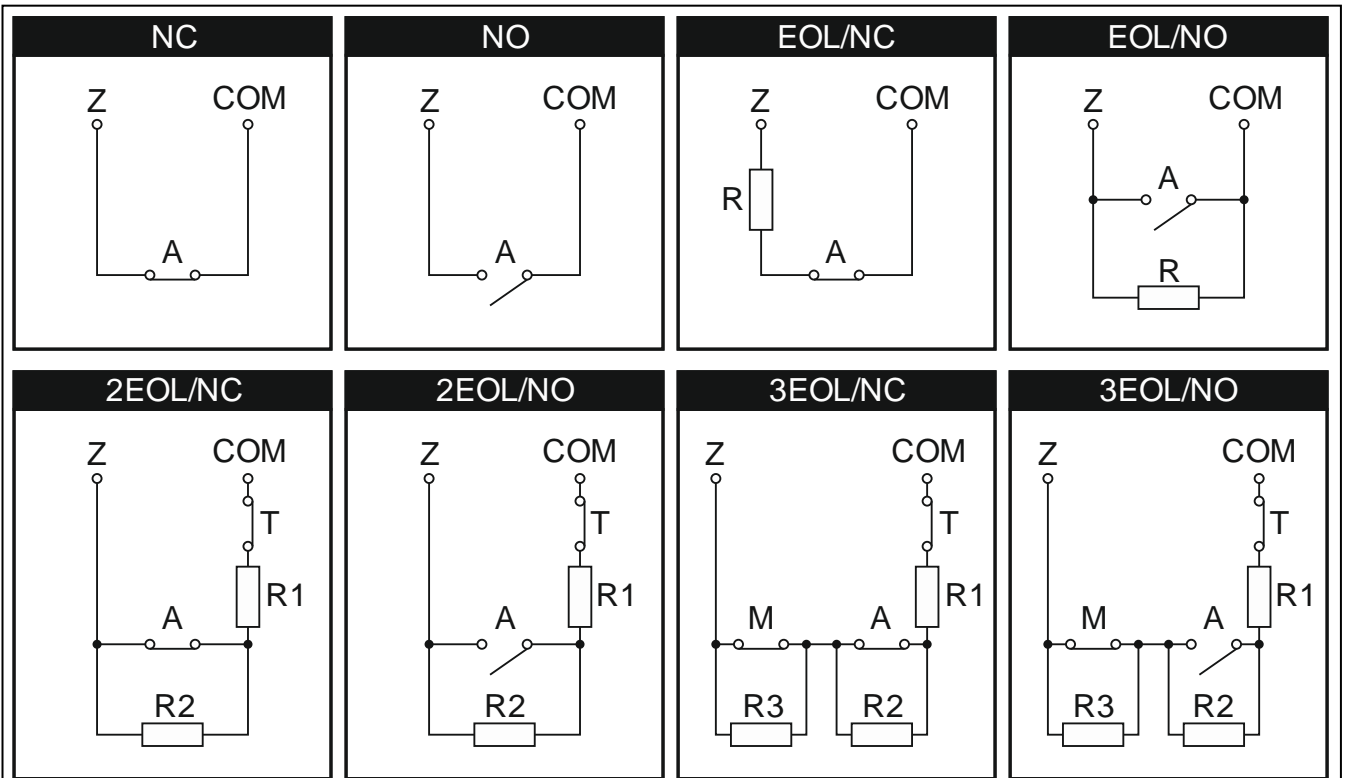


Fig. 8. The ways to connect detectors to zones. The detector outputs are designated with letters: A - alarm, T – tamper, M – anti-masking. R=R1+R2.

5.7.1 End-of-line resistors

The value of R1, R2 and R3 EOL resistors is programmable within the range from 500 Ω to 15 kΩ (the sum of preset values may not exceed 15 kΩ – see PROGRAMMING manual). The factory preset values are as follows:

R1 = 1.1 kΩ,

R2 = 1.1 kΩ,

R3 = 2.2 kΩ.

According to the factory settings, in Single EOL configuration, the 2.2 kΩ resistor is required, and in Double EOL (2EOL) configuration – two 1.1 kΩ resistors.

i If the resistor value in the keypad or expander is not programmable, in Single EOL configuration, the 2.2 kΩ resistor is required, and in Double EOL (2EOL) configuration – two 1.1 kΩ resistors.

When programming the R3 resistor value, remember that it must differ from that of the R2 resistor by at least 500 Ω.

5.8 Connecting the sirens

i If high-current output is not used, the 2.2 kΩ resistor should be connected between the output and common terminals.

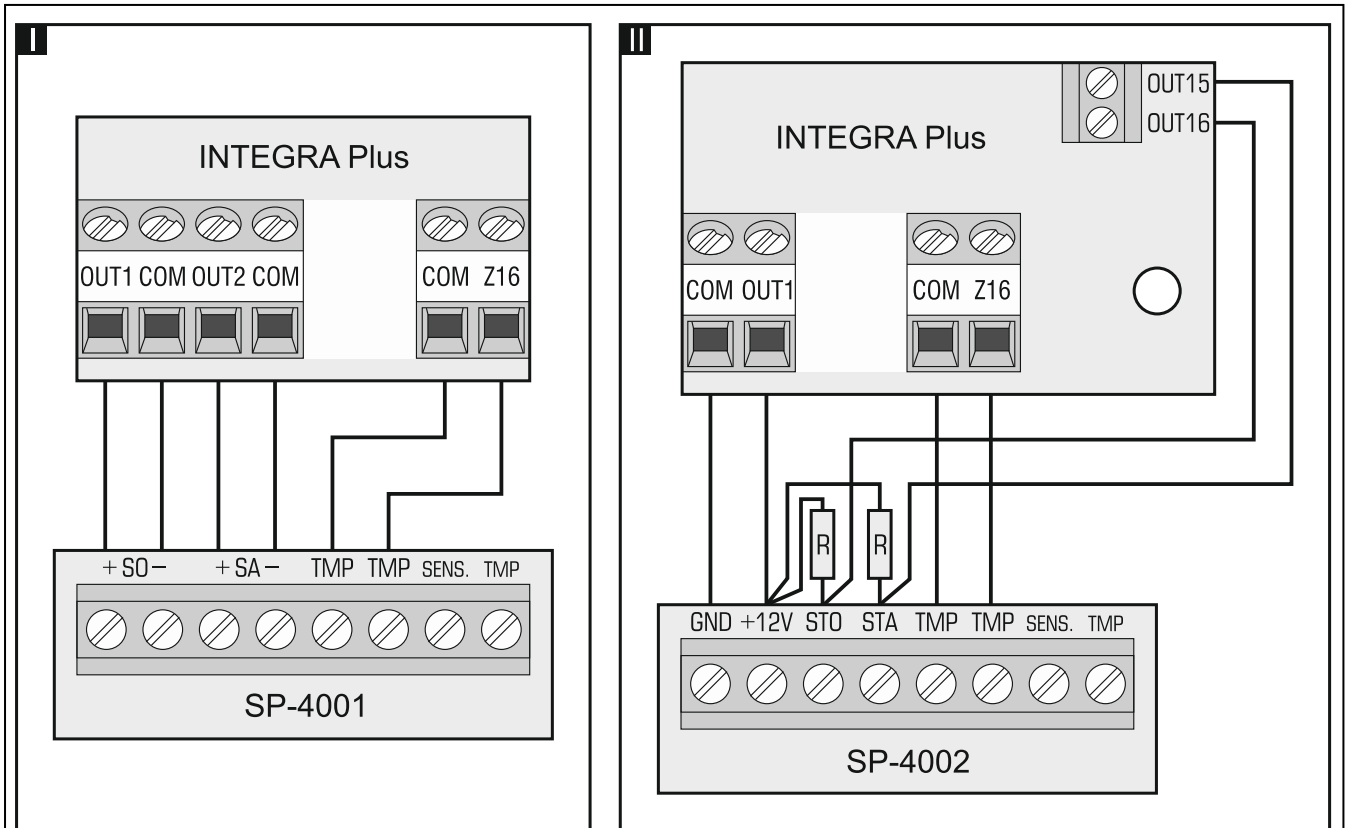


Fig. 9. The way of connecting sirens. I – siren without own power supply – alarm signaling triggered by high-current outputs. II - siren with own power supply – alarm signaling triggered by low-current outputs, the high-current serving as power supply output. The value of resistors R is 2.2 k Ω . In both cases, tamper circuit is connected to zone Z16.

5.9 Connecting the telephone line



Do not send telephone signals and alarm system signals by one multicore cable. This may cause damage to the system in case of a high-voltage punch-through coming from the telephone.

The control panel may only be connected to analog PSTN lines.

The system installer should inform the user about the way of connecting the control panel to the telephone network.

The control panel must be connected directly to the telephone line (terminals marked TIP, RING). Other devices using the telephone line (e.g. telephone, fax) should be connected after the control panel (terminals marked T-1, R-1). Hence the telephone line should be connected to the control panel using a four-wire cable. When connected in this manner, the control panel will be able to completely capture the line for the time of making a call. This will prevent the control panel telephone dialer from being blocked, e.g. by lifting the telephone receiver (such a situation would take place, if the control panel was connected to the telephone line after the telephone set).

If the ADSL service is used on the premises where the control panel is installed, the control panel should be connected after the ADSL filter, and the other devices using the analog telephone line should be connected to the control panel.

For protection of the telephone dialer against voltage surges, the \perp terminal should be connected to the 230 V AC network protective conductor (PE). Never connect the \perp terminal to the neutral conductor (N).

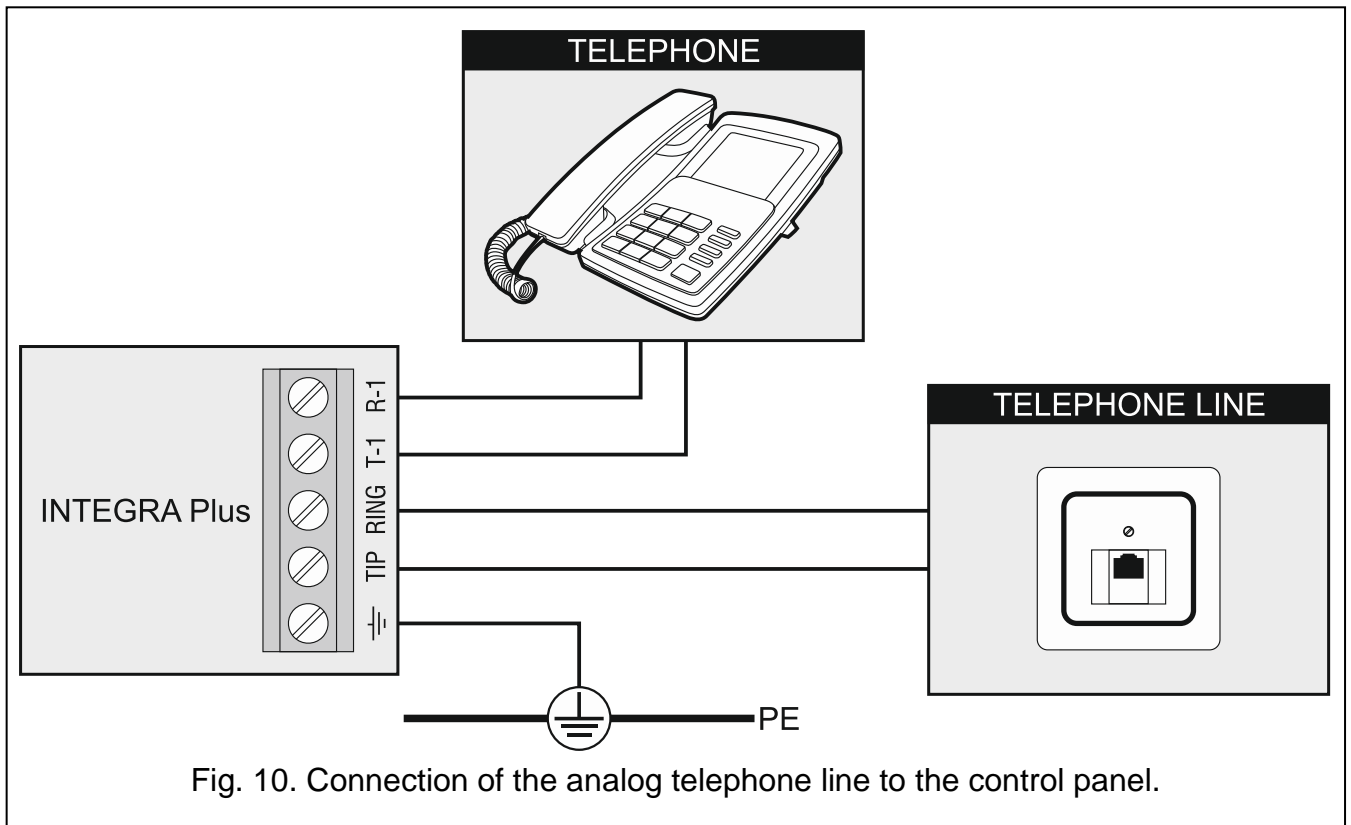


Fig. 10. Connection of the analog telephone line to the control panel.

5.10 Connecting power supply



Complete all wiring to the control panel before connecting AC power or the battery.

Before connecting power supply, insert the clock and RAM backup battery into its socket on the mainboard.

5.10.1 Main power supply

The INTEGRA Plus control panels require 20 V AC ($\pm 10\%$) power supply. Using a transformer of at least 75 VA power is recommended.



Never connect two devices with power supply unit to one transformer.

Before connecting transformer to a circuit from which it will be powered, make sure the circuit is de-energized.

If a 60 VA transformer is used, the total current consumption by the battery and devices connected to the control panel may not exceed 3 A (the battery maximum charging current is 1.5 A).

The transformer should be permanently connected to the 230 V AC mains supply. Before you make the cabling, familiarize yourself with the electrical installation of the facility. Make sure that the circuit you choose for powering the control panel will be always alive. The power supply circuit should be protected with a proper safety device. The owner or user of the alarm system should be instructed on how to disconnect the transformer from the mains (e.g. by indicating the fuse which protects the control panel supply circuit).

5.10.2 Backup power supply

A 12 V lead-acid sealed battery should be connected to the control panel as a backup power source. The battery capacity must be adequately selected to match current consumption in the system. According to EN 50131 Grade 3, the battery must ensure operation of the system without mains supply for 30 hours, when the reporting is enabled in the control panel.



Do not connect deeply discharged battery to the control panel (with voltage across unloaded terminals below 11 V). The battery should be precharged with a proper charger.

The used batteries must not be discarded, but should be disposed of in accordance with the existing rules for environment protection.

If the battery voltage drops below 11 V for longer than 12 minutes (3 battery tests), the control panel will indicate battery failure. When the voltage goes down to approx. 10.5 V, the battery will be disconnected.

5.10.3 Control panel power-up / start-up procedure

1. Deenergize the 230 V AC circuit to which the transformer is to be connected.
2. Connect the 230 V AC wires to the terminals of transformer primary winding.
3. Connect the terminals of transformer secondary winding to the AC terminals on control panel electronics board.
4. Connect the battery to the dedicated leads (positive terminal to RED lead, negative terminal to BLACK lead). **The control panel will not start after connecting the battery alone.** Included in the control panel set are adapters (matching connectors) for connection of battery with twisted cable ends, therefore the battery cable ends should not be cut off.
5. Turn on 230 V AC power supply in the circuit to which the transformer is connected. The control panel will start operating.



If you have any problems with starting the control panel, enter the service mode “from the pins” and restore the factory default settings (see EMERGENCY PROCEDURE OF THE CONTROL PANEL START-UP p. 23).

The above mentioned power-up sequence (first the battery, then the 230 V AC mains) will ensure proper operation of the power supply unit and the electronic protection circuits, thus preventing damage to the alarm system components caused by installation mistakes, if any.



If the control panel power supply has to be disconnected, disconnect the mains first and then the battery. When reconnecting the power supply, observe the above mentioned sequence.

5.11 First start-up of the control panel



After the first start-up of the control panel, it is advisable to restore the factory default settings using the CLEAR ALL function ([SERVICE CODE]* ►SERVICE MODE ►RESTARTS ►CLEAR ALL), and then quit the service mode. When a prompt appears on the keypad display, whether the data should be saved to the FLASH memory, press the “1” key on the keypad.

The control panel with factory settings (a new one or one after restart of settings) supports all keypads connected to the bus, irrespective of the addresses set in them. However, it does not allow you to program the system. You will be able to start programming after carrying out the following operations:

1. Setting individual, correct addresses in keypads (see p. 14).

2. Identification by the control panel of devices connected to the keypad bus. The identification can be performed by means of:
 - the keypad ([SERVICE CODE]* ►SERVICE MODE ►STRUCTURE ►HARDWARE ►IDENTIFICATION ►LCD KEYPADS ID.),
 - DLOADX program (“Structure” window →“Hardware” tab →“Keypads” branch →“Keypads identification” button).
3. Identification by the control panel of devices connected to the expander bus. The identification can be performed by means of:
 - the keypad ([SERVICE CODE]* ►SERVICE MODE ►STRUCTURE ►HARDWARE ►IDENTIFICATION ►EXPANDERS ID.),
 - DLOADX program (“Structure” window →“Hardware” tab →“Expansion modules” branch →“Exp. modules identification” button).



The identification function must be run every time when a new device is connected to the bus or the address of a device connected to the bus is changed.

Disconnecting the identified device from the communication bus will trigger a tamper alarm.

Any attempt to replace the identified device with another one having the same address will trigger a tamper alarm.

5.12 Emergency procedure of the control panel start-up

If the control panel fails to start properly, keypads are not supported, codes are not accepted by the control panel etc., despite all connections having been made correctly, follow the steps below:

1. Turn off the control panel power supply (first disconnect the AC power, and then the battery).
2. Put a jumper on the RESET pins located on the control panel mainboard.
3. Turn on the control panel power supply (first connect the battery and then the AC power). The DIALER LED will start blinking.
4. Wait a few seconds until the DIALER LED goes out and remove the jumper from the pins. The control panel will enter the service mode. The service mode menu will be displayed on the keypad with the lowest address.



If a computer with the DLOADX program running is connected to the RS-232 port, the service mode will not start (it will be possible to program the control panel locally from the computer).

5. Restore the factory default settings using the CLEAR ALL function (►RESTARTS ►CLEAR ALL).
6. Start the KEYPADS ADDR. function (►STRUCTURE ►HARDWARE ►IDENTIFICATION ►KEYPADS ADDR.) and set individual addresses in the keypads (see p. 15).
7. Identify devices connected to the keypad bus (►STRUCTURE ►HARDWARE ►IDENTIFICATION ►LCD KEYPADS ID.).
8. Identify devices connected to the expander bus (►STRUCTURE ►HARDWARE ►IDENTIFICATION ►EXPANDERS ID.).
9. Exit the service mode using the END SERVICE function.
10. After a prompt appears on the keypad display whether to save the data to the FLASH memory, press the key with the number 1. By saving a copy of the settings to the FLASH

memory, the control panel will be able to restore them from a backup copy if an error is detected in the data stored in the RAM memory.

- 11. After the data are saved to the FLASH memory, the control panel will restart (the keypad display will be blank for a moment). After the restart, the control panel should work properly and you can proceed to programming the system.

5.13 Connecting computer to the control panel

Using a computer, you can update the control panel firmware (FLASHX program), program the control panel (DLOADX program) and administer the security system (GUARDX program). Communication is encrypted. The computer can be connected to the control panel via the RS-232 or USB port.

When the control panel is connected to the computer using the USB cable, the Windows system will automatically detect the connection of a new device and display a wizard that will guide you through the process of installation of the drivers for the new hardware. The drivers can be downloaded from www.satel.eu. Some versions of the Windows operating system may warn that the driver has not passed compatibility test. You should however continue installation of the drivers despite these warnings.

i | Connecting the USB port to the computer will block the RS-232 port.

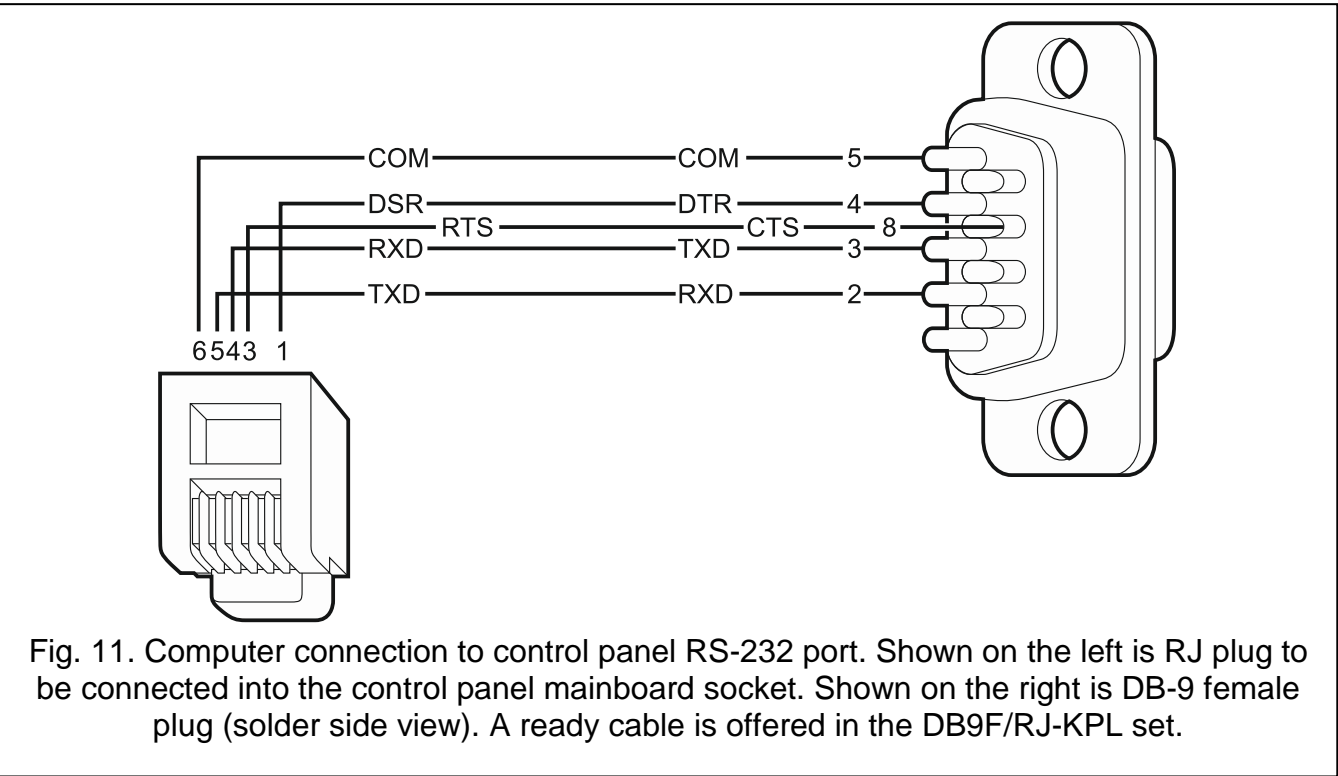


Fig. 11. Computer connection to control panel RS-232 port. Shown on the left is RJ plug to be connected into the control panel mainboard socket. Shown on the right is DB-9 female plug (solder side view). A ready cable is offered in the DB9F/RJ-KPL set.

5.14 Connecting the external modem

The external modem enables remote programming of the control panel (computer with DLOADX program required) or remote administration of the security alarm system (computer with GUARDX program required). The communication is encrypted.

The control panel can work with any external modem (analog, ISDN or GSM) compatible with the Hayes AT standard and equipped with an RS-232 port.

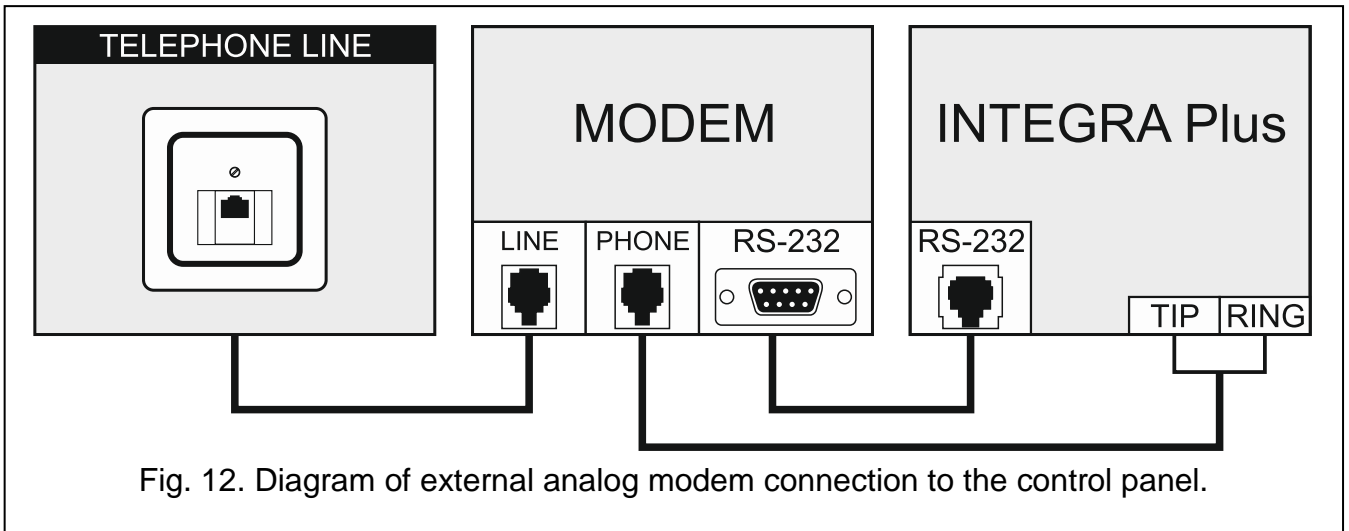


Fig. 12. Diagram of external analog modem connection to the control panel.

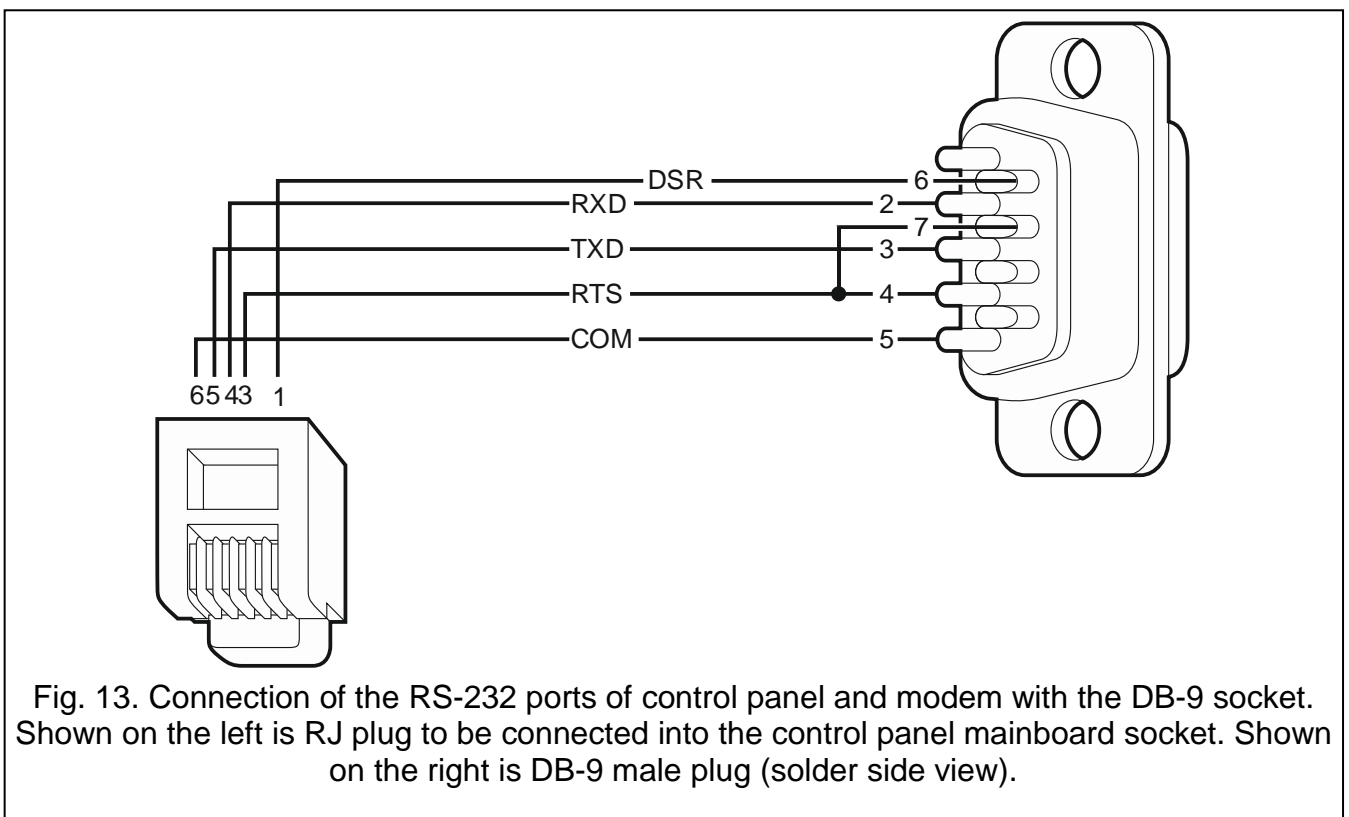


Fig. 13. Connection of the RS-232 ports of control panel and modem with the DB-9 socket. Shown on the left is RJ plug to be connected into the control panel mainboard socket. Shown on the right is DB-9 male plug (solder side view).

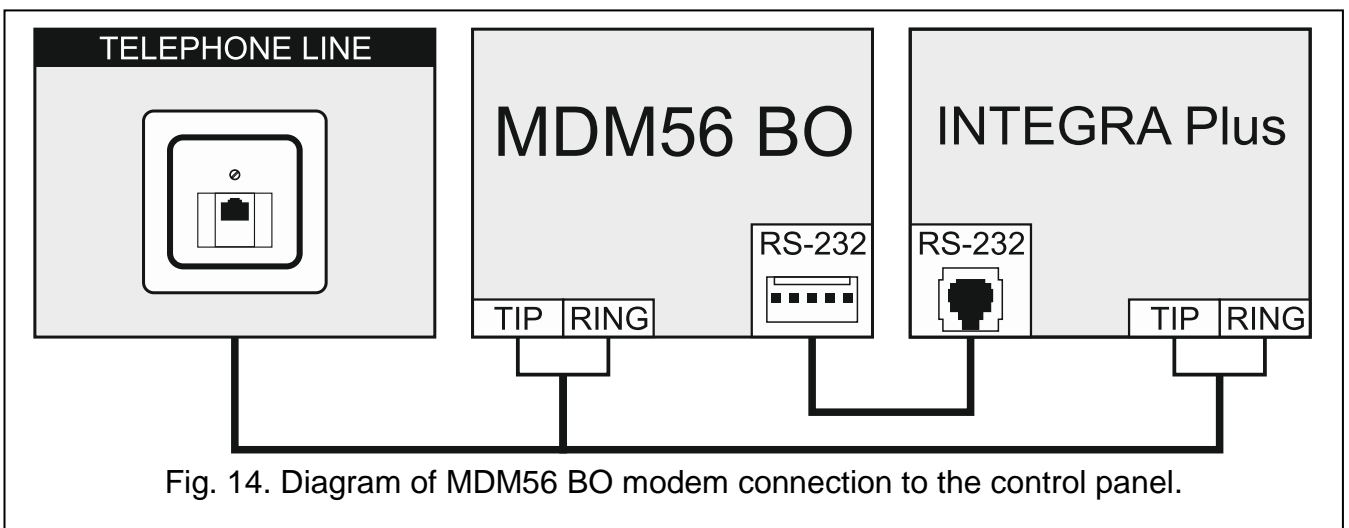


Fig. 14. Diagram of MDM56 BO modem connection to the control panel.

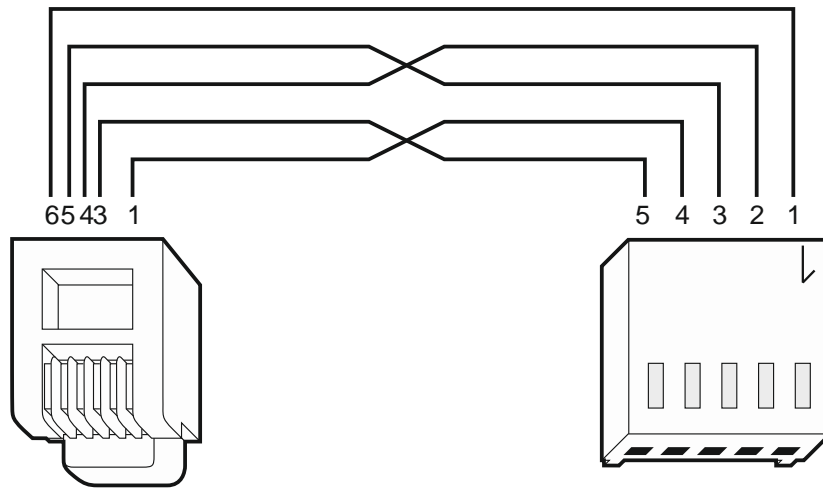


Fig. 15. Connection of the RS-232 ports of control panel and external modem with the PIN5 socket (the SATEL made ETHM-1 / ETHM-1 Plus and GSM modules are connected in a similar way). Shown on the left is RJ plug to be connected into the control panel mainboard socket. Shown on the right is PIN5 plug. A ready cable is offered by SATEL company (RJ/PIN5).

5.14.1 Configuring settings of the modem to be connected to control panel



The MDM56 and MDM56 BO modems, manufactured by SATEL, do not require any configuration. The factory settings ensure correct work with the control panel.

Before connecting to the control panel, connect the modem to the computer and, using the *Terminal* type program, set the correct operating mode.

1. Enter the `at` command – the modem should respond with “OK”. Otherwise, enter `ate1`. If the modem fails to respond, check the modem connection to the computer, and make sure that the correct COM port is selected in the *Terminal* program settings.
2. Enter the `at&v` command. The modem will present a list of parameters to be programmed (see example in Fig. 16). The parameter block saved as the “profile 0” (in Fig. 16 “STORED PROFILE 0”) should include `E1 Q0 V1 X4 &D2 &S0` and `S00:000`. In such a case the modem is ready for operation with the control panel.
3. If any parameter is set differently, it should be modified. The parameter setting command consists of a fixed AT prefix and the desired parameter setting (e.g., if `E0 V0` is included in the profile, the command for setting the proper value will be `ate1v1`, after which the modem will answer “OK”).
4. Enter the `at&w0` command to save the settings in the “profile 0”.
5. Enter the `atz` command followed by `at&v` to check that all parameters are saved correctly. The settings in ACTIVE PROFILE should be the same as in STORED PROFILE 0 (Note: Often the STORED PROFILE contains less parameters than the ACTIVE PROFILE, which is normal).



To set the S0 modem register, use the `ats0=0` command (in Fig. 16, the modem register setting is shown in a slightly different notation `S00: 000`).

When restarting the modem, the control panel gives the ATZ command, which sets the parameters as stored in the “profile 0”. For this reason, the current setting of the parameters mentioned in it. 2 (“ACTIVE PROFILE”) is irrelevant, but it is important that they be set properly in the “profile 0”.

```

OK
at&v
ACTIVE PROFILE:
B1 E1 L1 M1 N1 Q0 T V1 W0 X4 Y0 &C1 &D2 &G0 &J0 &K3 &Q5 &R1 &S0 &T5 &X0 &Y0
S00:000 S01:000 S02:043 S03:013 S04:010 S05:008 S06:002 S07:050 S08:002 S09:006
S10:014 S11:095 S12:050 S18:000 S25:005 S26:001 S36:007 S37:000 S38:020 S46:138
S48:007 S95:000

STORED PROFILE 0:
B1 E1 L1 M1 N1 Q0 T V1 W0 X4 Y0 &C1 &D2 &G0 &J0 &K3 &Q5 &R1 &S0 &T5 &X0
S00:000 S02:043 S06:002 S07:050 S08:002 S09:006 S10:014 S11:095 S12:050 S18:000
S36:007 S37:000 S40:104 S41:195 S46:138 S95:000

STORED PROFILE 1:
B1 E1 L1 M1 N1 Q0 T V1 W0 X4 Y0 &C1 &D2 &G0 &J0 &K3 &Q5 &R1 &S0 &T5 &X0
S00:000 S02:043 S06:002 S07:050 S08:002 S09:006 S10:014 S11:095 S12:050 S18:000
S36:007 S37:000 S40:104 S41:195 S46:138 S95:000

TELEPHONE NUMBERS:
0=                1=
2=                3=

OK
    
```

Fig. 16. Proper setting of the external modem parameters.

5.15 Connecting the printer

The control panel RS-232 port makes it possible to connect a printer provided with serial port. The control panel may print events in a “compressed” format (single event is printed in a single line containing up to 80 characters) or “extended” format, with names of zones, partitions, users and modules (then, the event is printed in two lines, when the printer with up to 80 characters per line is used; the descriptions of a single event are printed in one line with printers printing 132 characters per line).

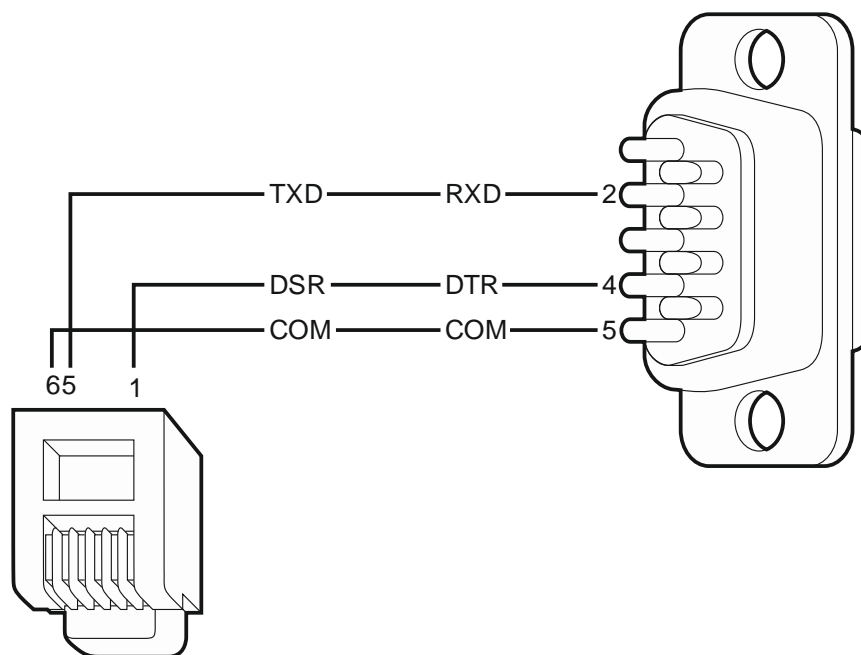


Fig. 17. Connection of printer by means of DB-9 male plug (solder side view). Shown on the left is RJ plug to be connected into the control panel mainboard socket.

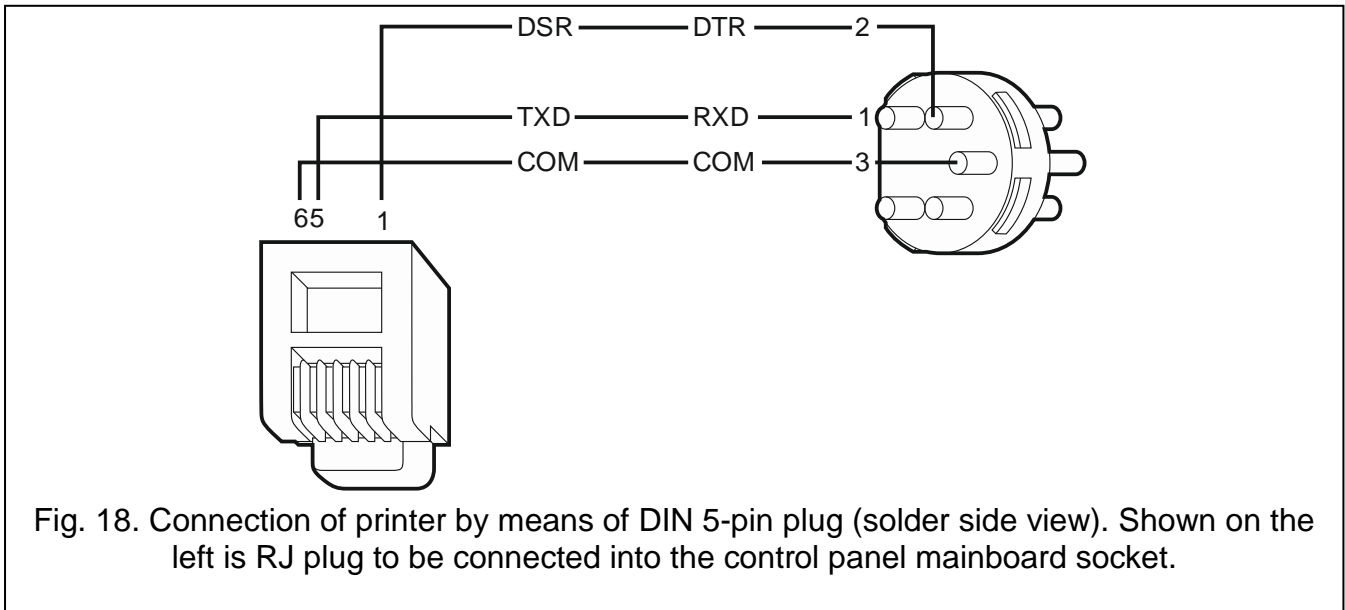


Fig. 18. Connection of printer by means of DIN 5-pin plug (solder side view). Shown on the left is RJ plug to be connected into the control panel mainboard socket.

6. Numeration of zones and outputs in the system

Numbers are automatically assigned to the zones and outputs:

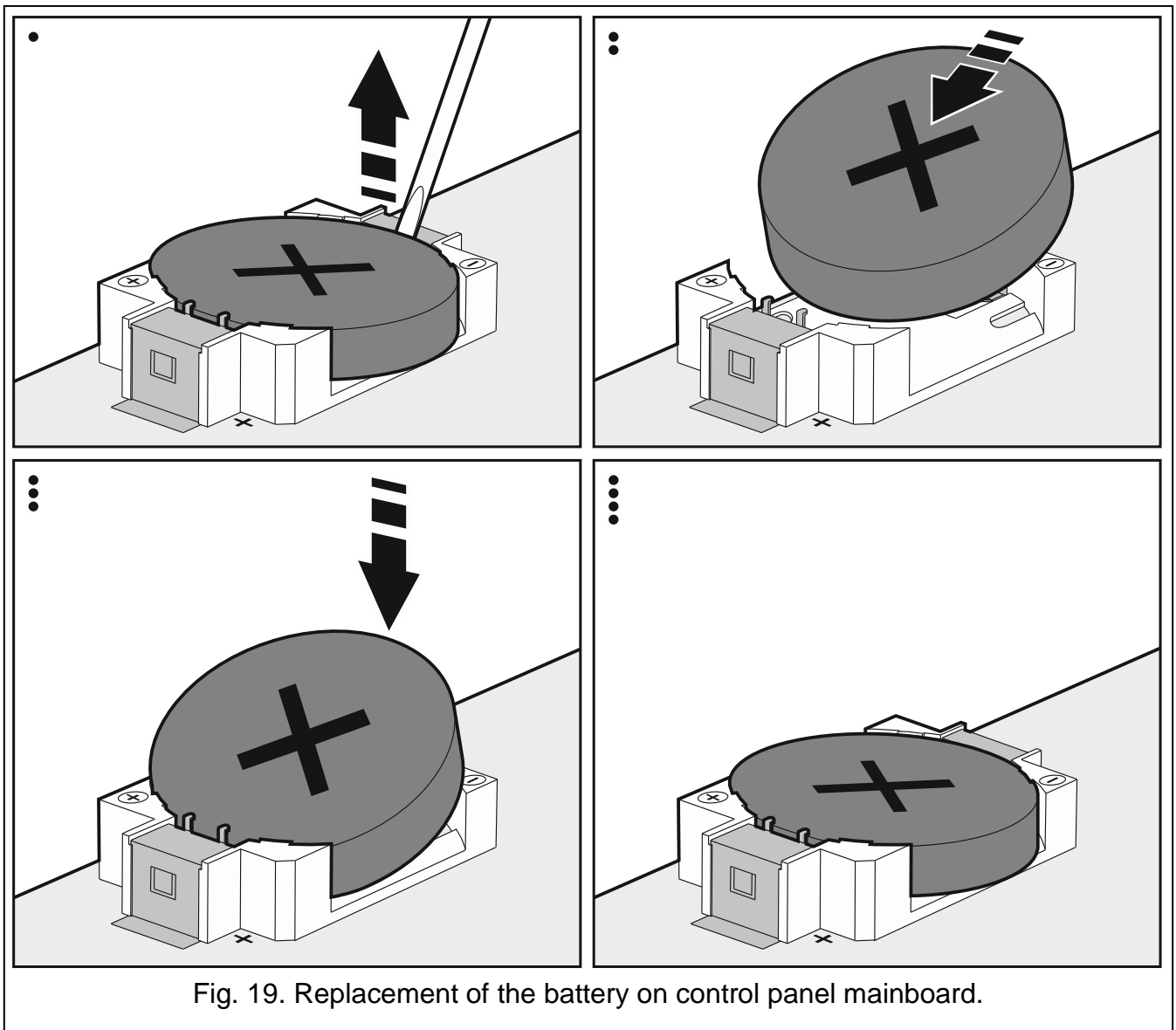
- the hardwired zones and outputs on the control panel board are numbered from 1 to 16.
- the numbers of keypad zones are determined during the identification procedure, based on the keypad address (see section NUMERATION OF KEYPAD ZONES p. 15).
- the numbers of zones and outputs in expanders and ABAX 2 / ABAX system controllers are determined during the expander identification procedure. The numbering is dependent on the expansion module address in the system (zones in expansion module with a lower address will be given lower numbers than the zones in expansion module with a higher address).



The control panel reserves 8 zones in the system for each identified expander. The exceptions are the INT-ADR / CA-64 ADR expander and the ABAX 2 / ABAX controllers, for which up to 48 zones can be reserved. In case of the INT-ADR / CA-64 ADR expander, the number of reserved zones depends on the number of detectors with installed CA-64 ADR MOD module, which are connected to it. In case of the ABAX 2 / ABAX system controller, the number of reserved zones depends on the number of registered wireless devices. In both cases, the number of reserved zones is a multiple of 8.

The DLOADX program allows you to change the numeration of zones and outputs in expanders ("Structure" window, "Hardware" tab, "Advanced" button for the selected expander). The changes in numeration will only be valid until you start the expander identification function again.

7. Replacing the battery on control panel mainboard



It is recommended that the status of clock and RAM memory backup battery be checked e.g. during periodical inspections, at least every 5 years. The battery life depends on:

- temperature,
- humidity,
- time during which the control panel power supply is off,
- battery self-discharge.

If the battery is low, it must be replaced with a new one of the same type (CR2032).



Be particularly careful during replacement of the battery. The manufacturer is not liable for the consequences of incorrect installation of the battery.

Replace the battery when the control panel power supply (main or backup) is on. If you remove the battery when the control panel power supply is off, the data stored in the RAM memory (event log, user data, clock settings) will be lost.

8. Specifications

8.1 Control panel

	INTEGRA 64 Plus	INTEGRA 128 Plus	INTEGRA 256 Plus
Supply voltage	20 V AC $\pm 15\%$, 50-60 Hz		
Recommended transformer	75 VA		
Standby current consumption from AC mains	135 mA		
Maximum current consumption from AC mains	400 mA		
Standby current consumption from battery	130 mA		
Maximum current consumption from battery	200 mA		
Battery failure voltage threshold	11 V $\pm 10\%$		
Battery cut-off voltage	10.5 V $\pm 10\%$		
Maximum battery charging current	1.5 A		
Power supply output current (supplying devices + charging battery)	2 A + 1.5 A		
Power supply output voltage range	10.5...14 V DC		
Current-carrying capacity, high-current programmable outputs	3 A $\pm 10\%$		
Current-carrying capacity, low-current programmable outputs	50 mA		
Current-carrying capacity, +KPD output	3 A $\pm 10\%$		
Current-carrying capacity, +EX1 and +EX2 outputs	3 A $\pm 10\%$		
Hardwired programmable zones	16		
Maximum number of programmable zones	64	128	256
Hardwired programmable outputs	16		
Maximum number of programmable outputs	64	128	256
Power supply outputs	3		
Communication buses	1+2		
Keypads	up to 8		
Expansion modules	up to 64		
Objects (subsystems)	8		
Partitions	32		
Telephone numbers for messaging (voice/PAGER + SMS)	16+16		
Voice messages	16	32	
Text messages defined by installer	64		
Users + Masters	192 + 8	240 + 8	
Timers	64		
Event log	5631	22527	24575
Security grade according to EN50131	Grade 3		
Environmental class according to	II		

INTEGRA 64 Plus

INTEGRA 128 Plus

INTEGRA 256 Plus

EN50130-5

Operating temperature range	-10...+55 °C
Maximum humidity	93±3%
Electronics board dimensions	264 x 134 mm
Weight	320 g

8.2 INT-KLCD keypad

Supply voltage	12 V DC ±15%
Standby current consumption	17 mA
Maximum current consumption	101 mA
Environmental class according to EN50130-5	II
Operating temperature range.....	-10...+55 °C
Maximum humidity.....	93±3%
Enclosure dimensions.....	140 x 126 x 26 mm
Weight.....	231 g

8.3 INT-KLCDR keypad

Supply voltage	12 V DC ±15%
Standby current consumption	60 mA
Maximum current consumption	156 mA
Environmental class according to EN50130-5	II
Operating temperature range.....	-10...+55 °C
Maximum humidity.....	93±3%
Enclosure dimensions.....	140 x 126 x 26 mm
Weight.....	236 g

8.4 INT-KLCDL keypad

Supply voltage	12 V DC ±15%
Standby current consumption	61 mA
Maximum current consumption	147 mA
Environmental class according to EN50130-5	II
Operating temperature range.....	-10...+55 °C
Maximum humidity.....	93±3%
Enclosure dimensions.....	145 x 115 x 26 mm
Weight.....	217 g

8.5 INT-KLCDS keypad

Supply voltage	12 V DC ±15%
Standby current consumption	33 mA
Maximum current consumption	151 mA
Environmental class according to EN50130-5	II
Operating temperature range.....	-10...+55 °C
Maximum humidity.....	93±3%

Enclosure dimensions 114 x 94 x 23.5 mm
 Weight..... 141 g

8.6 INT-KLCDK keypad

Supply voltage 12 V DC ±15%
 Standby current consumption30 mA
 Maximum current consumption110 mA
 Environmental class according to EN50130-5 II
 Operating temperature range..... -10...+55 °C
 Maximum humidity93±3%
 Enclosure dimensions 160 x 132 x 29 mm
 Weight..... 317 g

8.7 INT-KLFR keypad

Supply voltage 12 V DC ±15%
 Standby current consumption60 mA
 Maximum current consumption110 mA
 Environmental class according to EN50130-5 II
 Operating temperature range..... -10...+55 °C
 Maximum humidity93±3%
 Enclosure dimensions 145 x 143 x 25 mm
 Weight..... 346 g

9. Manual update history

Date	Firmware version	Introduced changes
2013-08	1.12	<ul style="list-style-type: none"> • Information on INTEGRA 256 Plus control panel has been added. • Information on the capability to report events via Ethernet using the UDP protocol has been added (p. 4). • Information on the event log in INTEGRA 64 Plus control panel has been corrected (p. 4 and p. 30). • Information on the new INT-TSG keypad has been added (p. 6). • Note about INTEGRA 256 Plus control panel and INT-KSG keypad has been added (p. 6). • Information on the new INT-AV module has been added (pp. 9, 13 and 18). • Note on clock / RAM backup battery has been modified (p. 13). • Note to recommend restoration of factory settings after control panel first start-up has been added (p. 22). • Information on ACU-250 and INT-RX-S modules has been added.
2013-12	1.12	<ul style="list-style-type: none"> • Information on the capability to report events by means of GPRS using the UDP protocol has been added (p. 4). • Information on the INT-TSI keypad has been added (p. 6). • Information on the INT-KLFR keypad has been added (p. 6 and 32). • Information on the INT-RS Plus module has been added (p. 7). • Note about INTEGRA 256 Plus control panel and INT-RS Plus module has been added (s. 7).

2014-10	1.13	<ul style="list-style-type: none"> • Information on event notification capability via e-mail has been added (p. 4). • Information on new ETHM-1 Plus module has been added (p. 7 a.o.). • Information on new INT-SF module has been added (p. 7). • Information on new INT-E module has been added (p. 7). • Information on new INT-ADR module has been added (p. 9). • Information on new INT-O module has been added (p. 9). • Information on new INT-PP module has been added (p. 9). • Information on new ACU-120 module has been added (p. 9 a.o.). • Information on new ACU-270 module has been added (p. 9 a.o.). • Information on new INT-KNX-2 module has been added (p. 9). • Note about operation of outputs when writing data to FLASH memory and when STARTER program is running has been added (p. 9).
2015-10	1.14	<ul style="list-style-type: none"> • Information on the INT-TSH keypad has been added (s. 6).
2016-04	1.15	<ul style="list-style-type: none"> • Note on checking the battery status has been added (p. 13).
2018-06	1.18	<ul style="list-style-type: none"> • Information about reporting, messaging and programming in section “Features” has been modified (p. 3). • Information on the new INT-GSM module has been added: (p. 7). • Section “Replacing the battery on control panel mainboard” has been added (p. 29).
2019-05	1.19	<ul style="list-style-type: none"> • Information about ABAX 2 system devices has been added. • Information about wireless keypads has been added (p. 6). • Information about ACU-220 controller has been added (p. 9). • Information about ACU-280 controller has been added (p. 9). • Section “Replacing the battery on control panel mainboard” has been modified (p. 29).